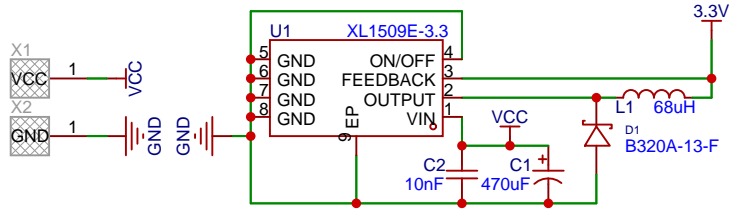
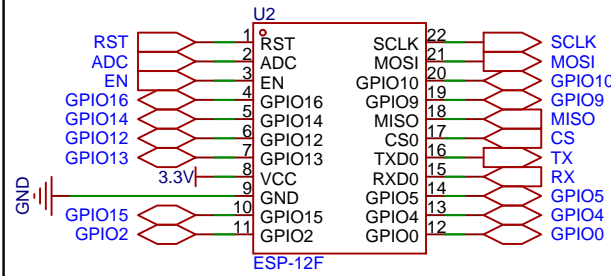


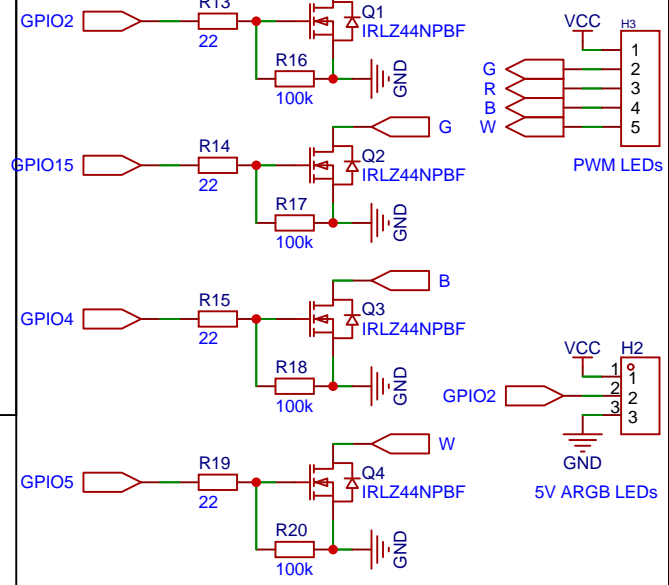
Power
MUSTN'T BE PLUGGED IN, WHEN USING USB PORT



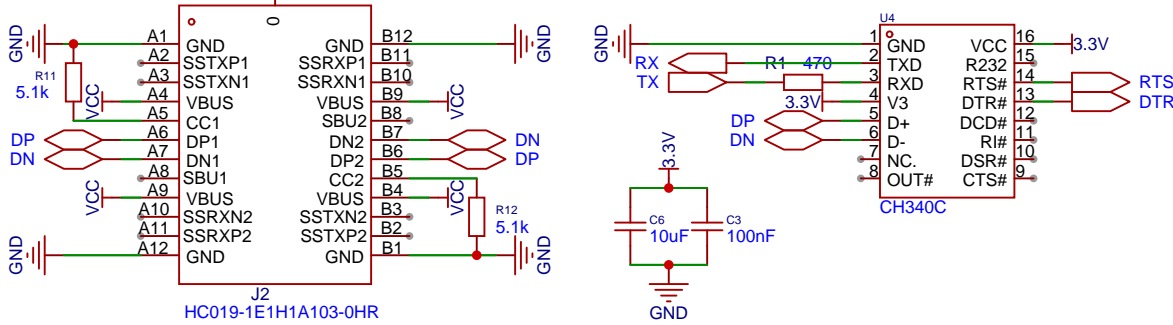
Microcontroller



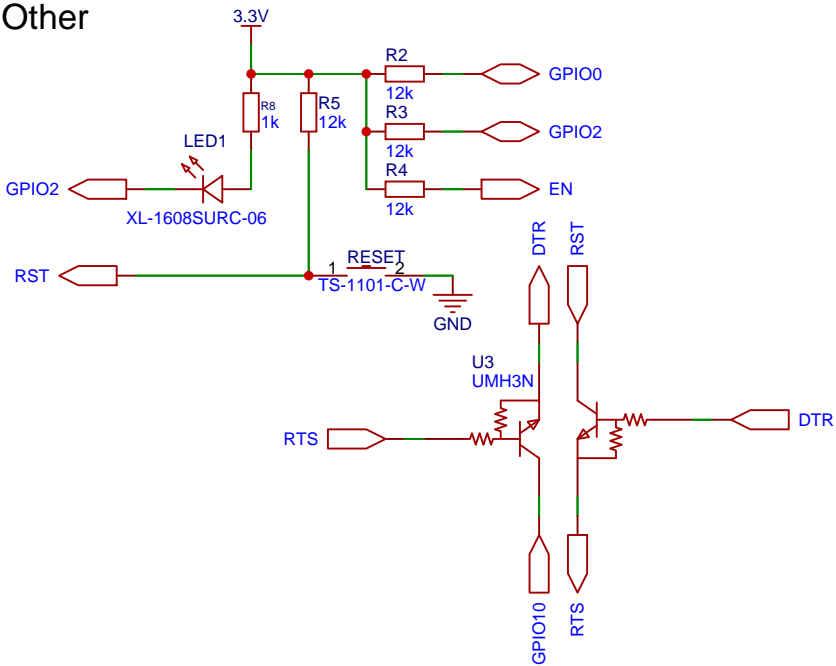
LED Pins



USB for Programming



Other



Schematic	Schematic1			Update Date	2025-01-21
Page	Mainboard			Create Date	2024-10-30
Drawn	EasyEDA	WLED 12V Controller			
Reviewed	EasyEDA				
		VER	SIZE	PAGE	1 OF 1
		V0.1	A4	EasyEDA.com	