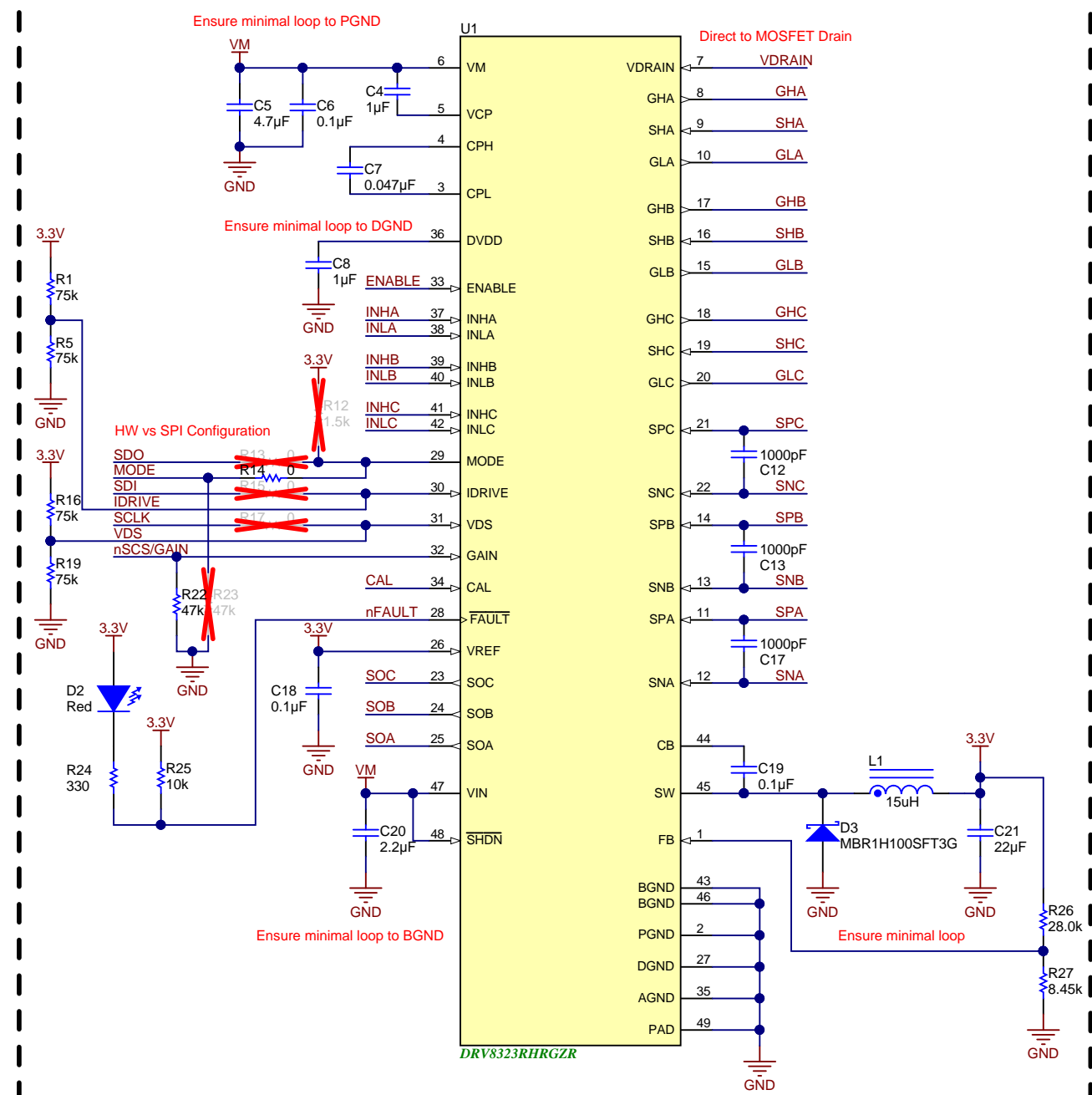
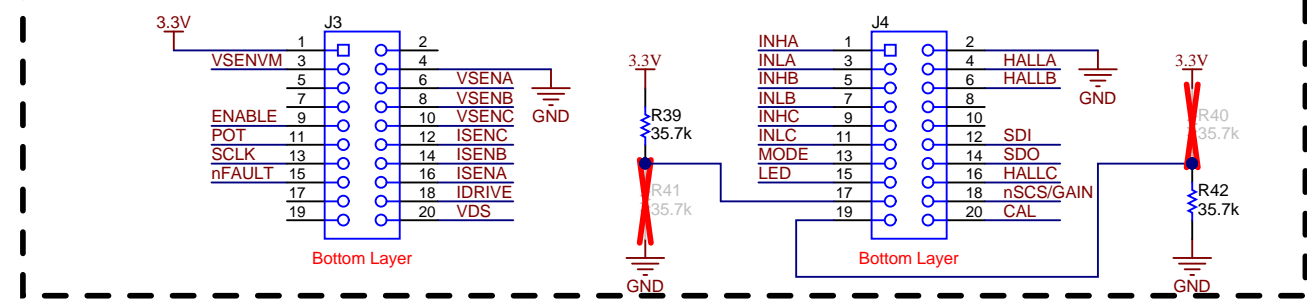


DRV8323RX

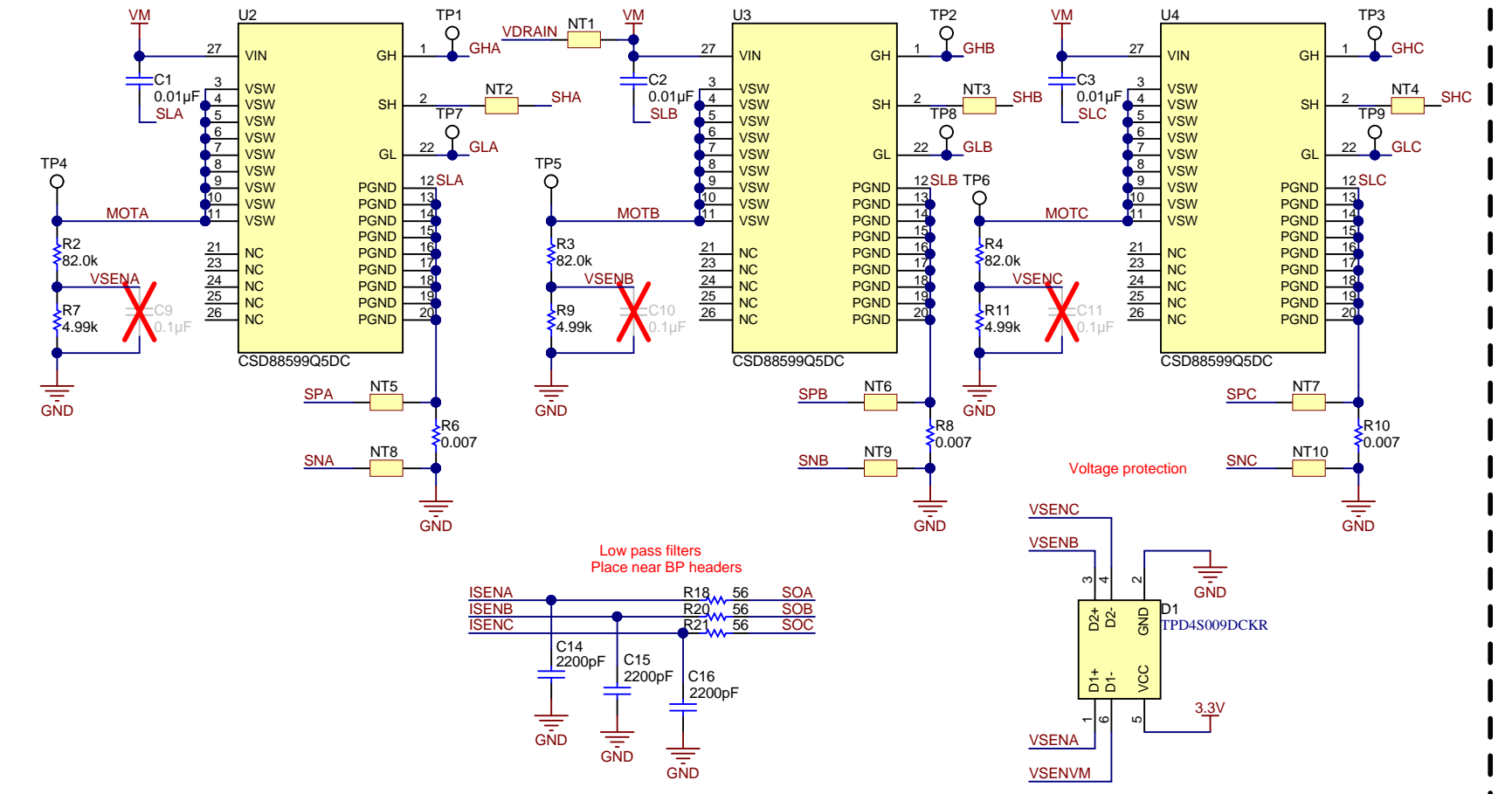


DRV8323RHRGZR

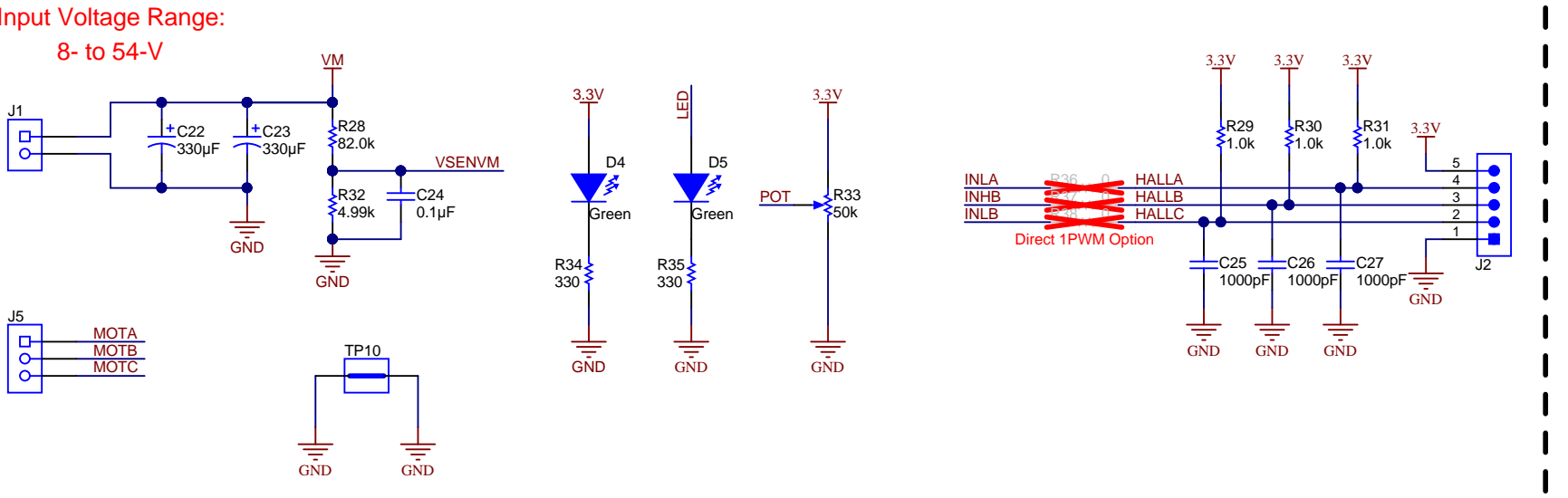
BOOSTERPACK -> LAUNCHPAD



HALF-BRIDGES & SENSE



CONNECTORS & INTERFACE



Orderable: BOOSTXL-DRV8323RH	Designed for: Public Release	Mod. Date: 2/13/2017
TID #: N/A	Project Title: BOOSTXL-DRV8323RX	
Number: MDBU017	Rev: A	Sheet Title:
SVN Rev: Version control disabled	Assembly Variant: 002	Sheet: 1 of 2
Drawn By:	File: MDBU017A.SchDoc	Size: B
Engineer: Nick Oborny	Contact: http://www.ti.com/support	

Texas Instruments and/or its licensors do not warrant the accuracy or completeness of this specification or any information contained therein. Texas Instruments and/or its licensors do not warrant that this design will meet the specifications, will be suitable for your application or fit for any particular purpose, or will operate in an implementation. Texas Instruments and/or its licensors do not warrant that the design is production worthy. You should completely validate and test your design implementation to confirm the system functionality for your application.

