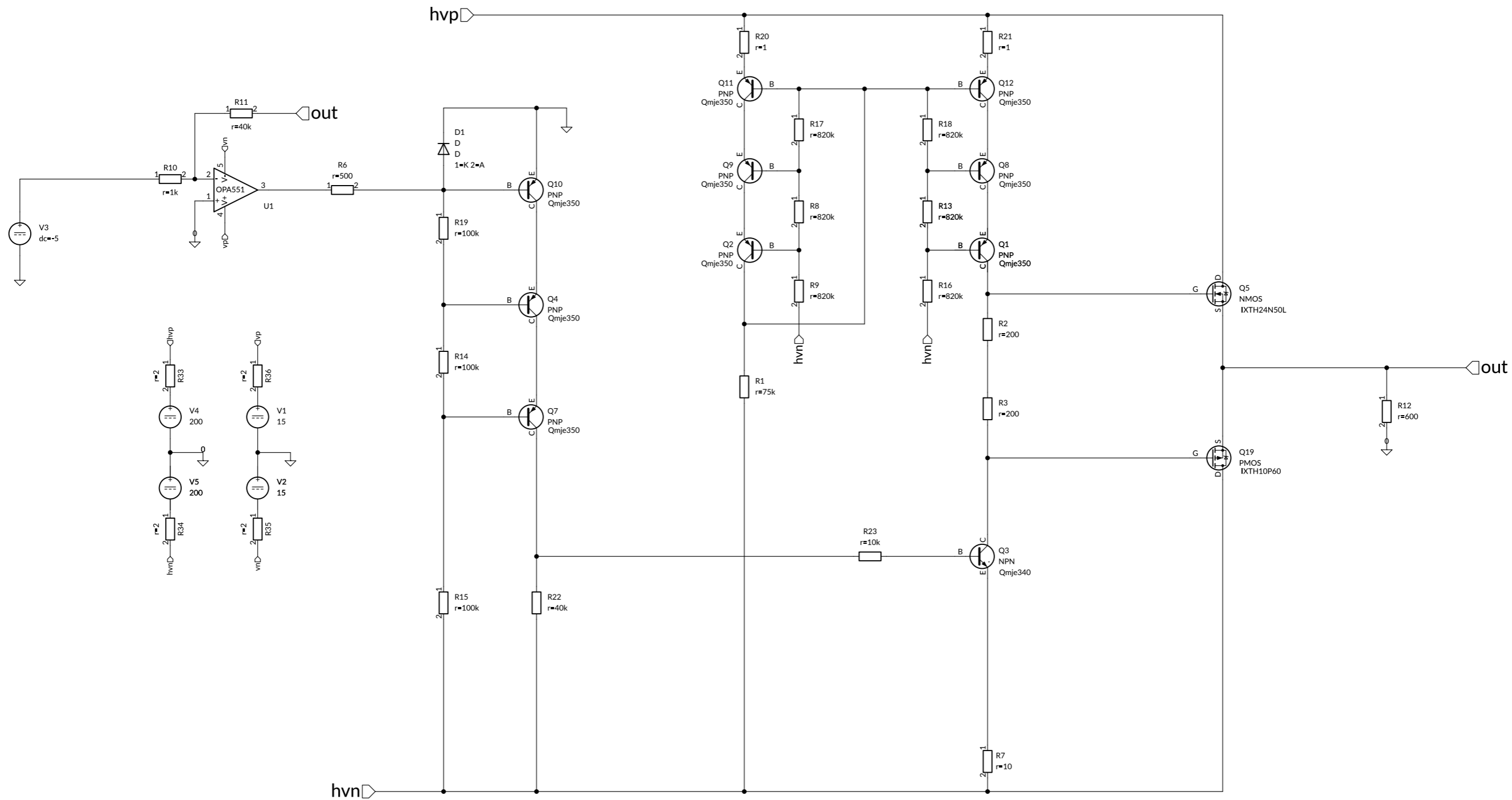


.options RELTOL=0.01
.options METHOD=GEAR
.options KLU
.options temp=60



| | | |
|---------------------|-------|---------|
| Sheet: / | | |
| File: sim.kicad_sch | | |
| Title: | | |
| Size: A3 | Date: | Rev: |
| KjCad E.D.A. 8.0.1 | | Id: 1/1 |