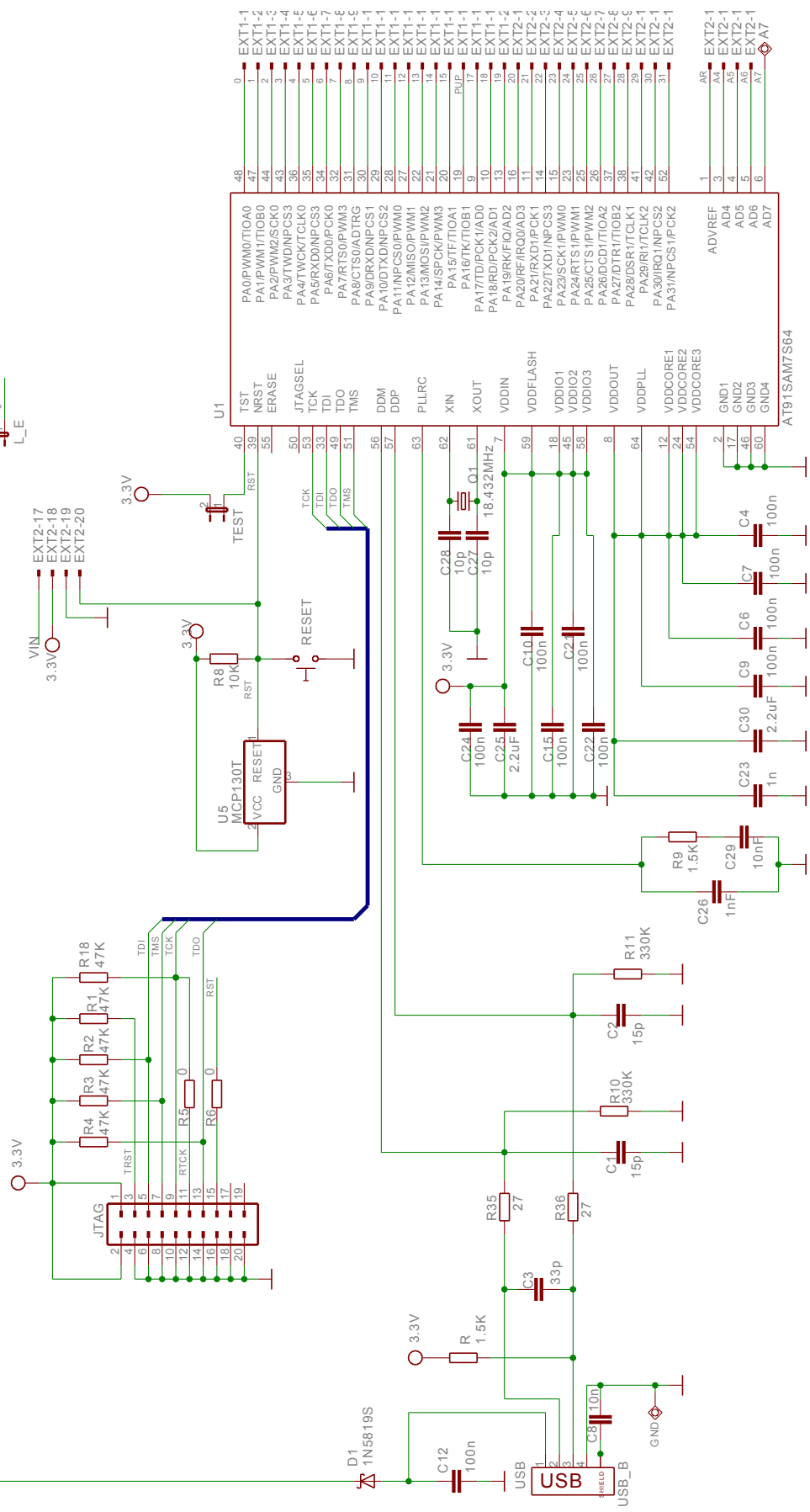


SAM7-H64

Rev. C
 COPYRIGHT(C) 2009, OLIMEX Ltd.
<http://www.olimex.com/dev>



48	PA0/PWM0/TIOA0	EXT1-1	0
47	PA1/PWM1/TIOB0	EXT1-2	1
44	PA2/PWM2/SCK0	EXT1-3	2
43	PA3/TWD/NPCS3	EXT1-4	3
36	PA4/TWCK/TCLK0	EXT1-5	4
35	PA5/RXD0/NPCS3	EXT1-6	5
34	PA6/TXD0/PCK0	EXT1-7	6
32	PA7/RTS0/PWM3	EXT1-8	7
31	PA8/CTS0/ADTRG	EXT1-9	8
30	PA9/DRXD0/NPCS1	EXT1-10	9
29	PA10/DXD0/NPCS2	EXT1-11	10
28	PA11/NPCS0/PWM0	EXT1-12	11
27	PA12/MISO/PWM1	EXT1-13	12
22	PA13/MOSI/PWM2	EXT1-14	13
21	PA14/SPCK/PWM3	EXT1-15	14
19	PA15/IF/TIOA1	EXT1-16	15
17	PA16/TK/TIOB1	EXT1-17	16
10	PA17/DIR/PCK2/AD1	EXT1-18	17
13	PA18/RRF/IQ/AD2	EXT1-19	18
16	PA19/RRF/IQ/AD3	EXT1-20	19
11	PA20/URF/IRQ/AD3	EXT1-21	20
14	PA21/RXD1/PCK1	EXT1-22	21
15	PA22/TXD1/NPCS3	EXT1-23	22
23	PA23/SCK1/PWM0	EXT1-24	23
24	PA24/RTS1/PWM1	EXT1-25	24
25	PA25/CTS1/PWM2	EXT1-26	25
26	PA26/DCD1/TIOA2	EXT1-27	26
37	PA27/DIR1/TIOB2	EXT1-28	27
38	PA28/DRR1/TCLK1	EXT1-29	28
41	PA29/RR1/TCLK2	EXT1-30	29
42	PA30/IRQ1/NPCS2	EXT1-31	30
52	PA31/NPCS1/PCK2	EXT1-32	31
1	ADVREF	AR	3
4	AD4	EXT2-1	4
5	AD5	EXT2-2	5
6	AD6	EXT2-3	6
7	AD7	EXT2-4	7

AT91SAM7S64

SAM7-H64 BOARD HEADER ASSIGNMENTS

EXT1			EXT2			
PA1	1	0	PA0	GND	38 39	nRST
PA3	3	2	PA2	5V-USB	36 37	3.3V
PA5	5	4	PA4	AD5	34 35	AD6
PA7	7	6	PA6	ADREF	32 33	AD4
PA9	9	8	PA8	PA30	30 31	PA31
PA11	11	10	PA10	PA28	28 29	PA29
PA13	13	12	PA12	PA26	26 27	PA27
PA15	15	14	PA14	PA24	24 25	PA25
PA17	17	16	PA16	PA22	22 23	PA23
PA19	19	18	PA18	PA20	20 21	PA21

The pin numbers are printed on the top silkscreen, the above drawings are with TOP view of the board

The distance between the headers is 1"