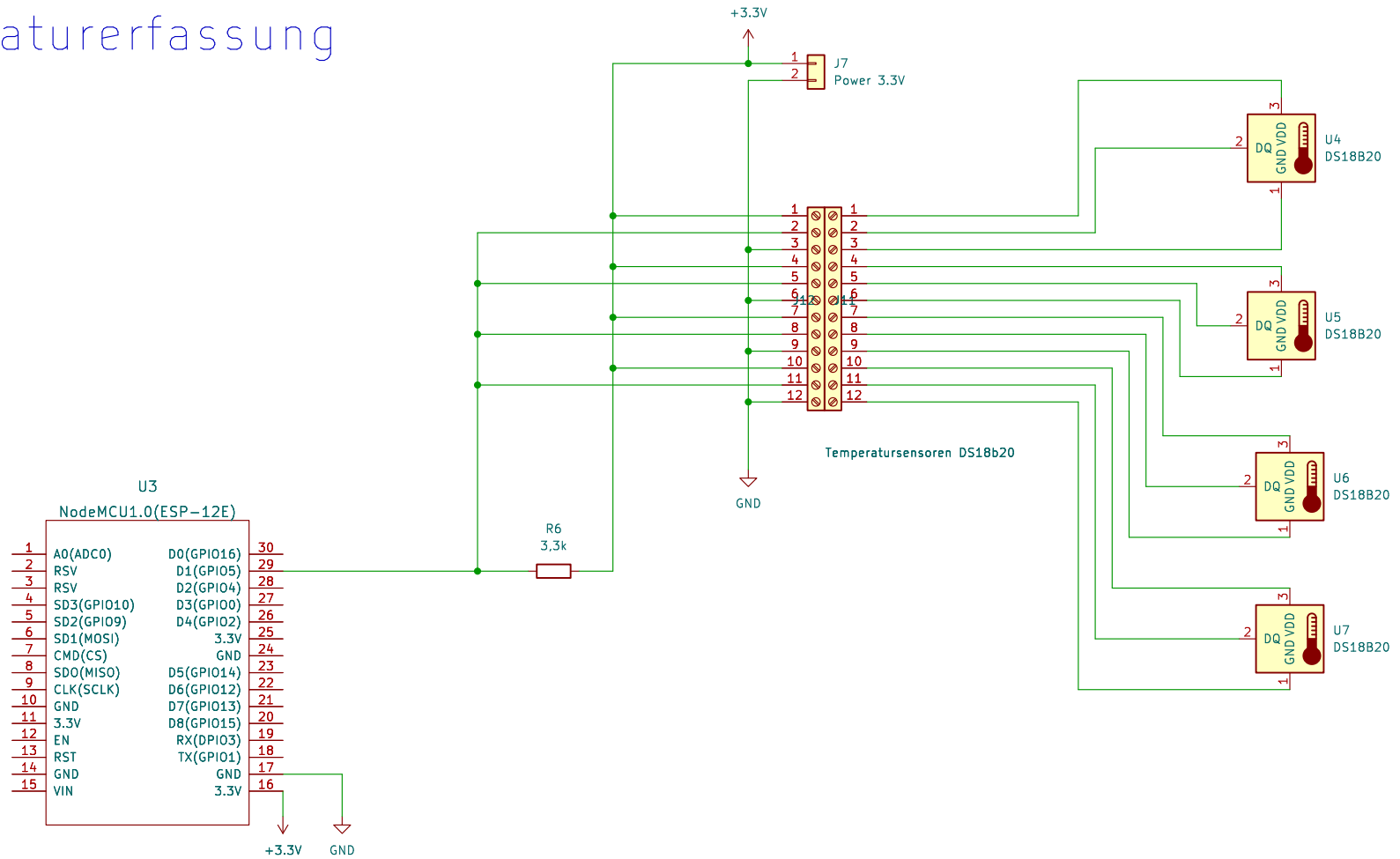


Temperaturerfassung



Sheet: /Temperatursensoren/
File: untitled.kicad_sch

Title:

Size: A4
KiCad E.D.A. 8.0.0

Date:

Rev:
Id: 2/2