

A

A

B

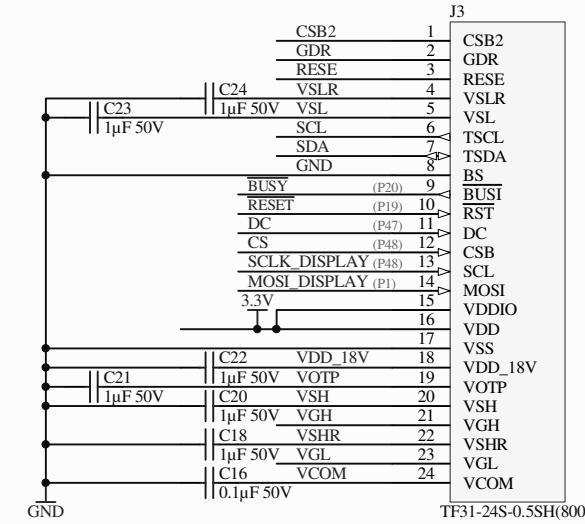
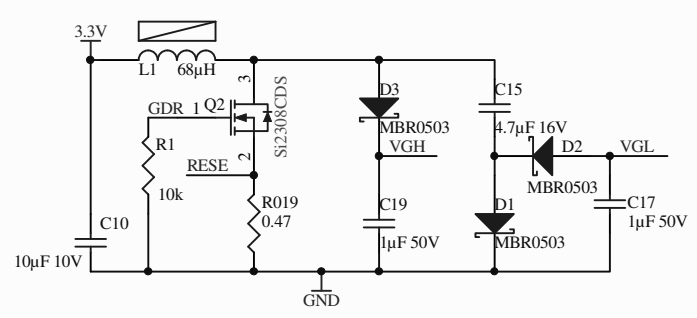
B

C

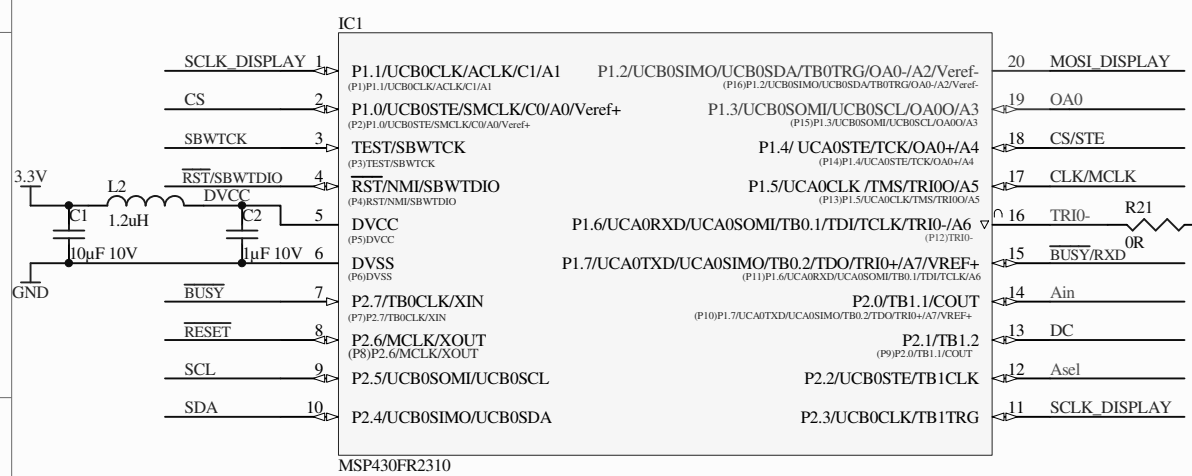
C

D

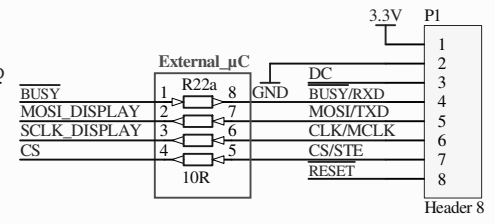
D



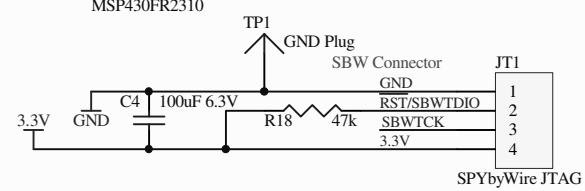
TF31-24S-0.5SH(800)



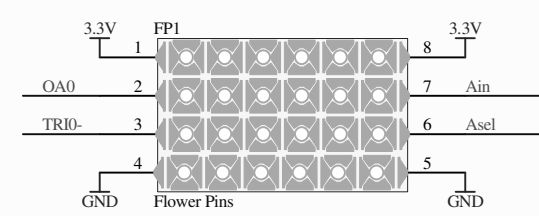
MSP430FR2310



Header 8



SPYbyWire JTAG



Flower Pins

Title		
Size	Number	Revision
A4		
Date:	17.11.2022	Sheet of
File:	E:\Altium2004 SP3\..E-InkADP.SchDoc	Drawn By: