

A

A

B

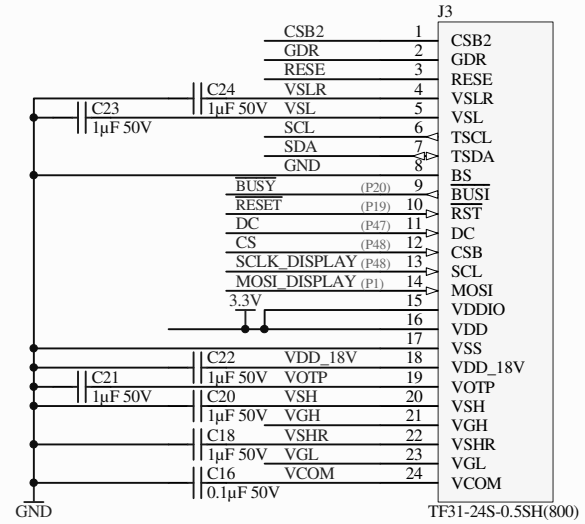
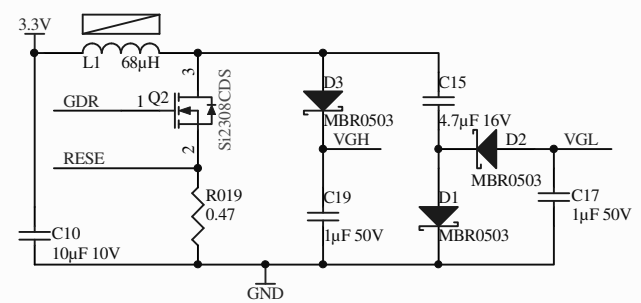
B

C

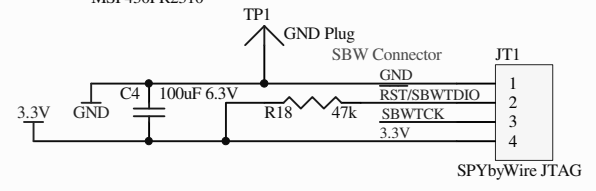
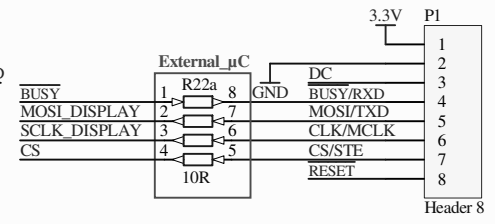
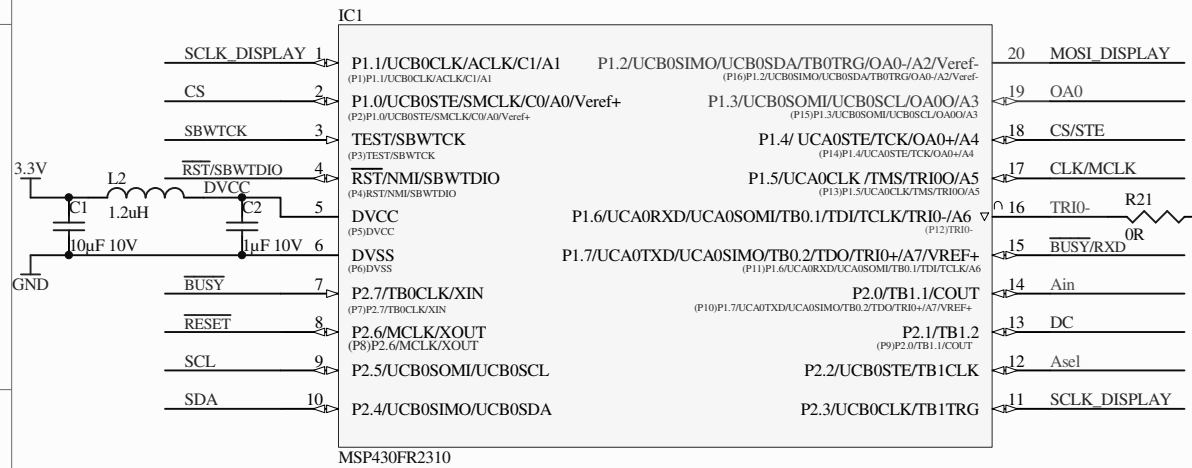
C

D

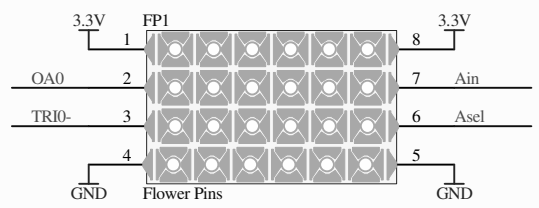
D



TF31-24S-0.5SH(800)



SPYbyWire JTAG



Title		
Size	Number	Revision
A4		
Date:	15.11.2022	Sheet of
File:	E:\Altium2004 SP3\..E-InkADP.SchDoc	Drawn By: