



SMS1150

Integrated Single-Chip Mobile Digital TV Receiver
With MRC Diversity

Notebook and UMPC Applications

The SMS1150 is a member of Siano's cutting edge second generation multi-standard, multi-band SMS11XX product family of Mobile Digital TV (MDTV) receivers. Supporting DVB-T, DVB-H, T-DMB, DAB+ and ISDB-T 1-Seg & 3-Seg MDTV standards, antenna diversity as well as USB 2.0HS interface and exceptional performance.

Siano's SMS1150 is a highly integrated all-CMOS single chip receiver designed to enable low-cost, rapid implementation of multi-standard, multi-band MDTV applications. With minimal hardware design effort it enables MDTV reception in a variety of computer related electronic devices, such as notebook personal computers, Ultra Mobile PCs (UMPCs), Mobile Internet Devices (MIDs), and more.

The SMS1150 integrated tuner and demodulator is complemented by a Host-API software package that includes drivers and land libraries for popular host processors and operating systems.

To employ the full strength of the SMS1150, two devices could be coupled together to form a diversity enabled system, thus improving mobility and sensitivity performance even further.

The input to the SMS1150 is the broadcasted RF signal received by the antenna. The output is a demodulated, selected one (or multiple) channel stream in the format of either MPEG transport packets or IP datagrams (depending on the standard). This data is fed into an application processor that is capable of video and audio decompression.

Highlights

- 2nd Generation single-chip MDTV receiver
- Best-in-class mobility performance
- Full MRC diversity
- Extremely high sensitivity
- Extremely low power consumption
- USB 2.0 High Speed (HS) compliant
- Multi-band:
 - 170MHz to 1700MHz

- Multi-standard:
 - ISDB-T 1-Seg & 3-Seg, DVB-T, DVB-H, T-DMB, DAB-IP, DAB, DAB V.2
- Multiple Picture-in-Picture (PiP)
- Certified USB device drivers:
 - Microsoft Windows XP
 - Microsoft Windows Vista
 - Linux

Typical Applications

- Notebooks and Laptop PCs
- Ultra Mobile PCs (UMPCs)
- Mobile Internet Devices (MIDs)

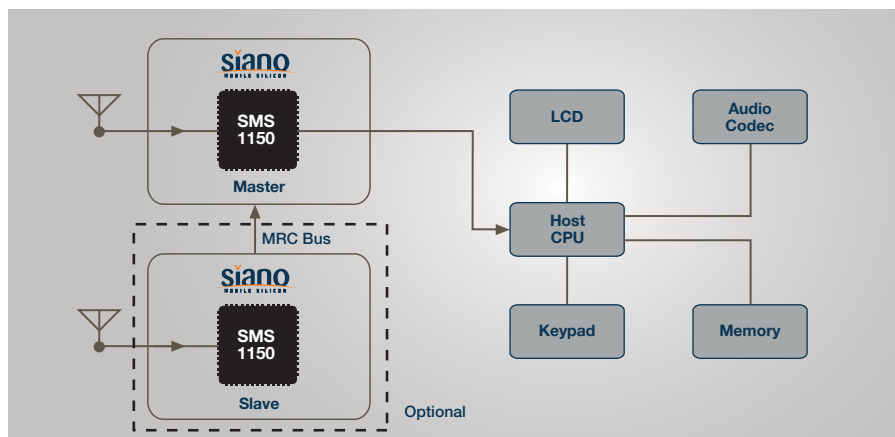


SMS1150

Integrated Single-Chip Mobile Digital TV Receiver
With MRC Diversity
Notebook and UMPC Applications

Key Features

- All CMOS solution (ZIF conversion)
- No external active components
- Superior mobility algorithms
- On-chip PID and IP filtering
- Support for Personal Video Recording (PVR)
- IEC62104/NORDIG, EICTA/MBRAI 2.0, ARIB B-31 compliant
- RoHS compliant
- Thin BGA package, 6.2x6.5x0.9mm
- Complete MDTV receiver solution:
 - Device drivers
 - Middleware for CPUs
- No external active components



Integration of SMS1150 into typical PC system with MRC diversity (optional)

Supported Standards

- ISDB-T 1-Seg & 3-Seg
- DVB-T / DVB-H
- T-DMB
- DAB-IP / DAB / DAB V.2

Supported Bands

- VHF III (170-240 MHz)
- UHF (470-862 MHz)
- L1 (1450-1492 MHz)
- L2 (1660-1685 MHz)

Supported Interfaces

- USB 2.0 High Speed (HS)
- General Serial (I2C-like) Control
- Transport Stream (TS)

Specifications are subject to change without prior notice.

The Siano name and logo are registered trademarks of Siano Mobile Silicon Ltd. Siano enabling TV EVERYWHERE is a trademark of Siano Mobile Silicon Ltd. All other trademarks are the property of their respective holders.



enabling TV EVERYWHERE

Siano North America
11719 Bee Cave Rd. (FM2244)
Suite 102
Austin, TX 78738
USA

Tel: +1 (512) 535.0560
Fax: +1 (512) 853.9023
Email: siano@siano-ms.com
www.siano-ms.com

Siano China
Suite 1123, Tower 2
Bright China Chang An Building
No. 7, Jianguomen Neidajie
Beijing, 100005
People's Republic of China

Tel: +86-10-5911 1616/1818
Fax: +86-10-6517 1066

Siano EMEA
Delta Building
Kfar-Netter 40593
P.O.B. 8684
Netanya 42504
Israel

Tel: +972-9-865 6993
Fax: +972-9-865 6994

Siano Japan
12F Yurakucho ITOCiA
2-7-1 Yurakucho
Chiyoda-ku
Tokyo 100-0006
Japan

Tel: +81-3-6860 4735
Fax: +81-3-6860 4501

Siano Taiwan
Tel: +886-9-2204 2815
Fax: +886-2-2219 7491

Siano Korea
Tel: +82 (31) 388-2556
Fax: +82 (31) 388-2557

BnS Technologies Co., Ltd.
Tel: +82 (31) 441-3400
Fax: +82 (31) 442-1700