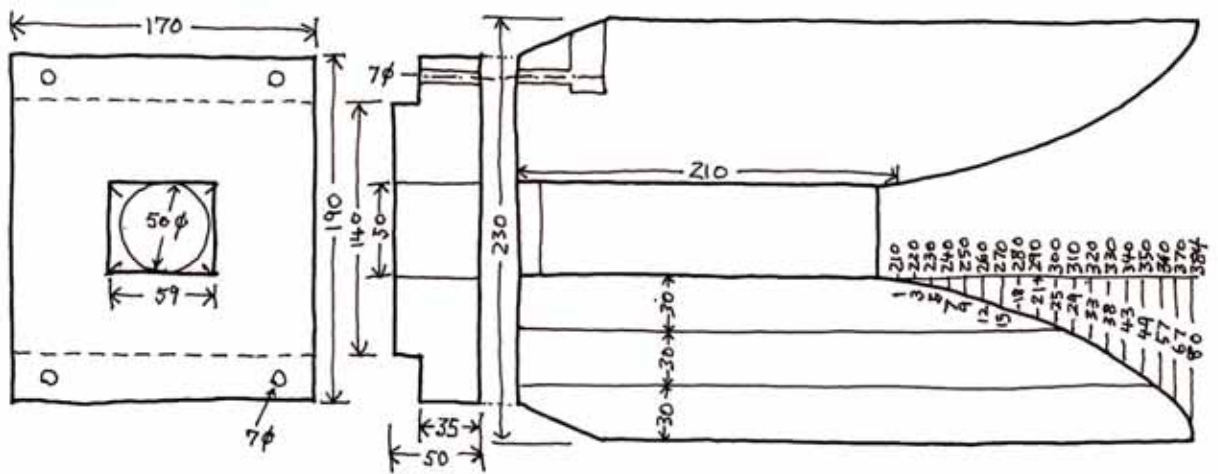
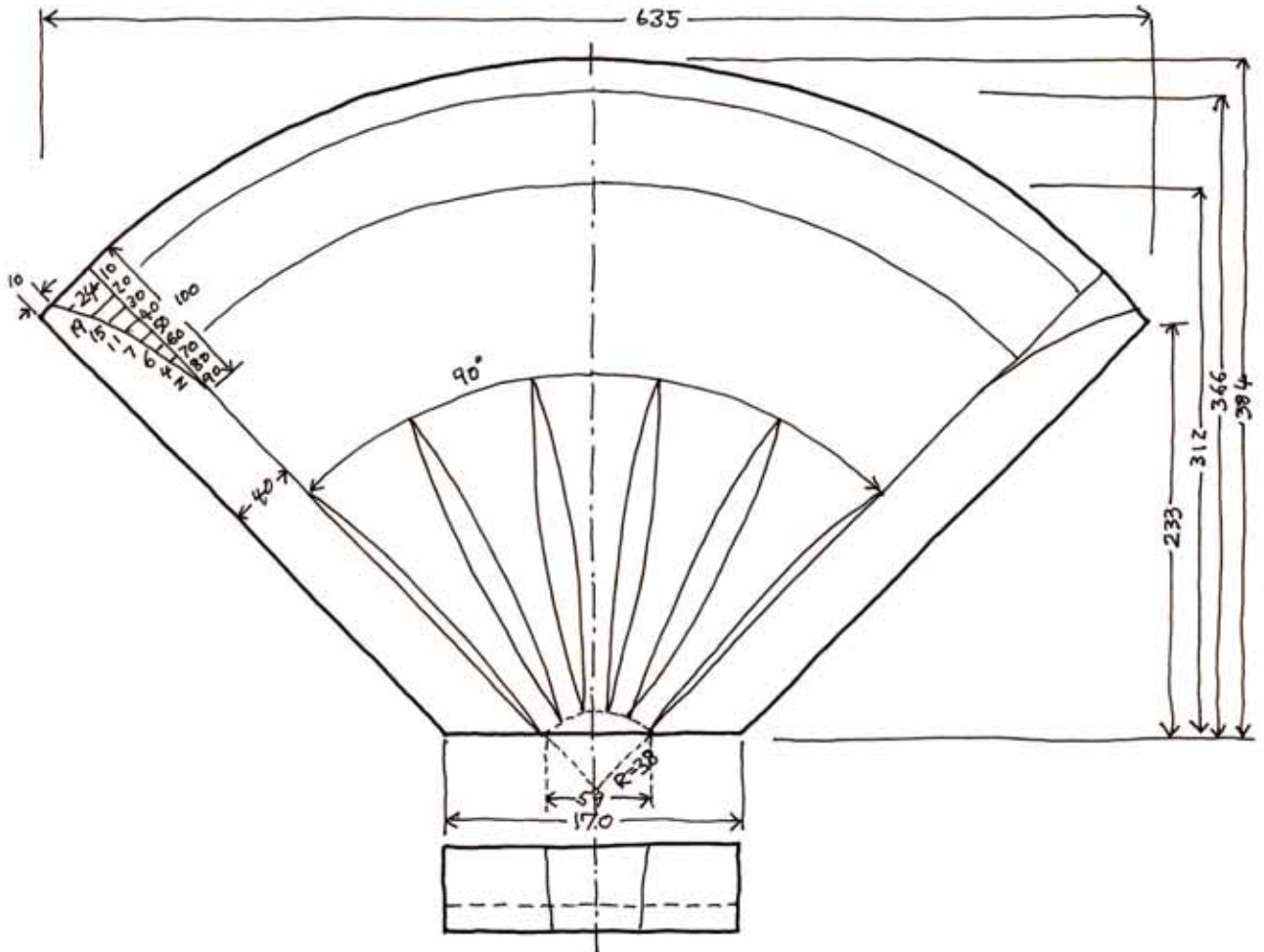
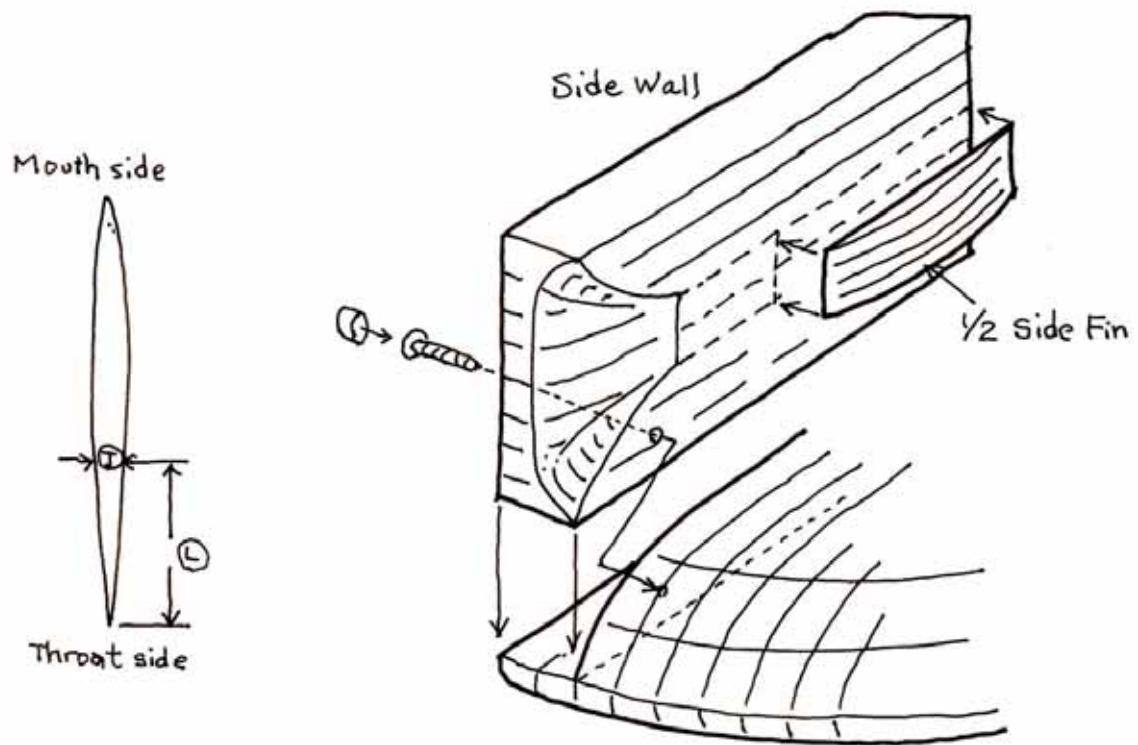


A-290-S Wood Horn Drawing



Horn Joint Structure



Fin Size

(L)	(T)
0	0
10	2
20	4
30	7
40	8
50	10
60	12
70	13
80	14
90	15
100	15
110	15
120	15
130	15
141	14

151	12
161	10
171	8
182	5
192	1

Note: All four fins are the same size.

Unit : mm

Wood Material : a Chinese quince laminated lumber (3.0, 4.0 and 5.0cm thickness)

Driver : 2 inches or 5cm throat size driver (Pioneer TAD TD-4001 or JBL-2441, 2445)

Designed by Yuichi Arai (Refer to the August 1990 issue of MJ Magazine, Tokyo for detail.)