



產品名稱

INVERTER-I002A

產品功能

變壓器、轉換器

產品規格

MODEL:		SDEC-I002A			
ITEM	RATINGS		ITEM	RATINGS	
	MIN	MAX		MIN	MAX
INPUT VOLTAGE (DC)	4.5	5.5	OSC.FREQUENCY (Hz)	400	700
INPUT CURRENT (Ma)	30	40	OUTPUT VOLTAGE (AC)	100	130
OPERATING TEMP ()	-10	+60	LOAD RANGE () ²	45	70
STORAGE TEMP ()	-20	+70	LIFE (HRS)	30,000	

勝特力材料 886-3-5753170
 勝特力电子(上海) 86-21-54151736
 勝特力电子(深圳) 86-755-83298787
[Http://www.100y.com.tw](http://www.100y.com.tw)

1.FEATURE

LCD MODE	TN/STN
BACKLIGHT TYPE	LED/EL BACKLIGHT
CHARACTER FONTS	5⊙8 DOTS (WITH CURSOR)
CONTROLLER	NT3881 OR EQUIVALENT
POWER SUPPLY FOR LCM	DC +5V
LED BACKLIGHT INPUT	DC +5V
EL BACKLIGHT INPUT	AC90~100V(400~700HZ)
EL INVERTER	SDEC-I002(I005)

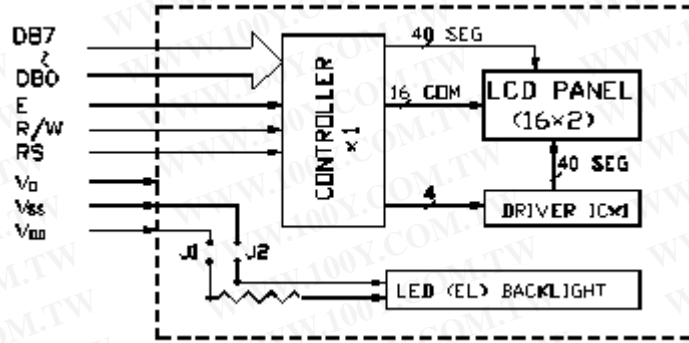
2.ELECTRICAL CHARACTERISTICS

ITEM	SYM	CONDITION	MIN	TYP	MAX	UNIT
SUPPLY VOLTAGE FOR LCD	VDD-VO	Ta=0	-	4.6	-	V
		Ta=25	-	4.4	-	V
		Ta=50	-	4.2	-	V
INPUT VOLTAGE	VI	-	4.5	5.0	5.5	V
INPUT HIGH VOL	VIH	-	2.2	-	VDD	V
INPUT LOW VOL	VIL	-	0	-	0.6	V
OUTPUT HIGH VOL	VOH	-	2.4	-	-	V
OUTPUT LOW VOL	VOL	-	-	-	0.4	V
SUPPLY CURRENT	IDD	VDD=5v	-	3.0	4.5	mA
LED CURRENT	IF	Ta=25	-	320	-	mA
LED DISSIPATION	PD	Ta=25	-	1600	-	mW

3.ABSOLUTE MAXIMUM RATINGS

ITEM	SYMBOL	MIN	TYP	MAX	UNIT
OPERATING TEMP	TOP	0	-	50	
STORAGE TEMP.	TST	-10	-	60	
INPUT VOLTAGE	VI	VSS	-	VDD	V
SUPPLY VOL-LOGIC	VDD-VSS	-	5.0	6.5	V
SUPPLY VOL-LCD	VDD-VO	-	-	6.5	V

4.BLOCK DIAGRAM



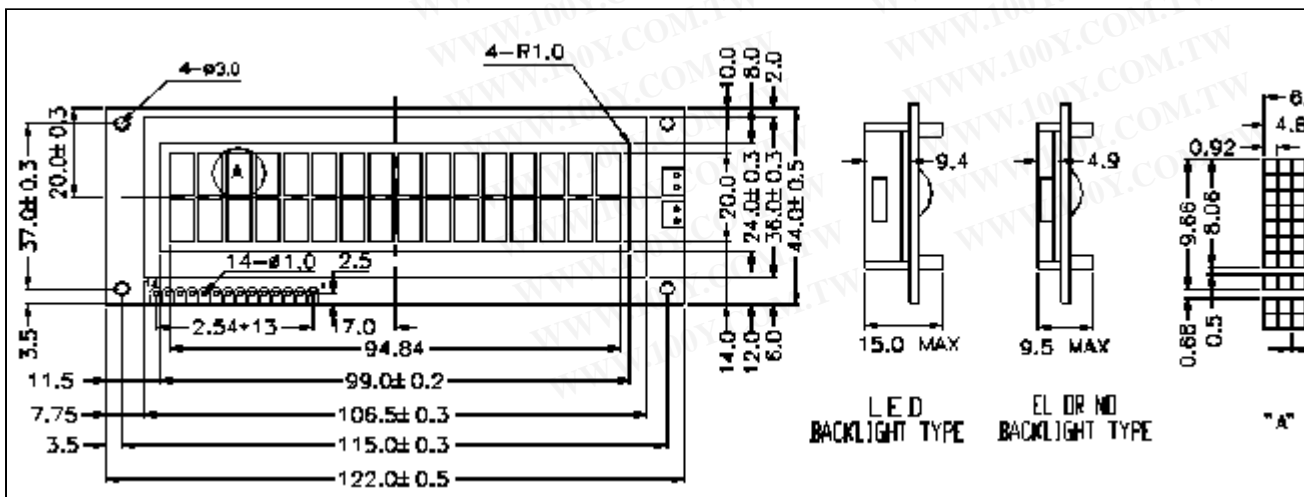
5.INTERFACE PIN CONNECTIONS

NO	SYM	LEVEL	FUNCTION	NO	SYM	LEVEL	FUNCTION
1	VSS	-	0V	9	DB2	H/L	DATA BIT2
2	VDD	-	5V	10	DB3	H/L	DATA BIT3
3	VO	-	CONTRAST ADJ	11	DB4	H/L	DATA BIT4
4	RS	H/L	REGISTER SELECT	12	DB5	H/L	DATA BIT5
5	R/W	H/L	READ/WRITE	13	DB6	H/L	DATA BIT6
6	E	H.H->L	ENABLE SIGNAL	14	DB7	H/L	DATA BIT7
7	DB0	H/L	DATA BIT0	15	A(+)	5V	BACKLIGHT
8	DB1	H/L	DATA BIT1	16	K(-)	0V	BACKLIGHT

6.DISPLAY CHARACTER ADDRESS CODE

	1	2	3	4	5	6	7	8	9	10	11	12	13	14	15	16
L1	C0	C1	C2	C3	C4	C5	C6	C7	C8	C9	CA	CB	CC	CD	CE	CF

7.DIMENSIONAL DRAWING





產品名稱

INVERTER-I005

產品功能

變壓器、轉換器

產品規格

MODEL:		SDEC-I005			
ITEM	RATINGS		ITEM	RATINGS	
	MIN	MAX		MIN	MAX
INPUT VOLTAGE (DC)	4.5	5.5	OSC.FREQUENCY (Hz)	700	1k
INPUT CURRENT (Ma)	50	70	OUTPUT VOLTAGE (AC)	70	100
OPERATING TEMP (°C)	-10	+60	LOAD RANGE (cm ²)	20	50
STORAGE TEMP (°C)	-20	+70	LIFE (HRS)	25,000	



產品名稱

INVERTER-I003A

產品功能

變壓器、轉換器

產品規格

MODEL:		SDEC-I003A			
ITEM	RATINGS		ITEM	RATINGS	
	MIN	MAX		MIN	MAX
INPUT VOLTAGE (DC)	4.5	5.5	OSC.FREQUENCY (Hz)	400	700
INPUT CURRENT (Ma)	65	85	OUTPUT VOLTAGE (AC)	100	130
OPERATING TEMP (°C)	-10	+60	LOAD RANGE (cm ²)	70	100
STORAGE TEMP (°C)	-20	+70	LIFE (HRS)	30,000	