



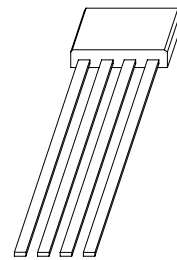
General Description

The FS277, a 1-chip composed of hall sensor and output coil drivers, applied to a 2-phase DC motor. The high sensitivity of Hall effect sensor is suitable for motors from mini-type CPU coolers to blowers and DC fans. Typical operation current is 0.4A and operating voltage range is from 3.0V ~ 20V.

Using few external components, FS277, a high performance integrated IC, is designed for a 2-phase DC motor circuit. The circuit diagram of the typical application example is as below.

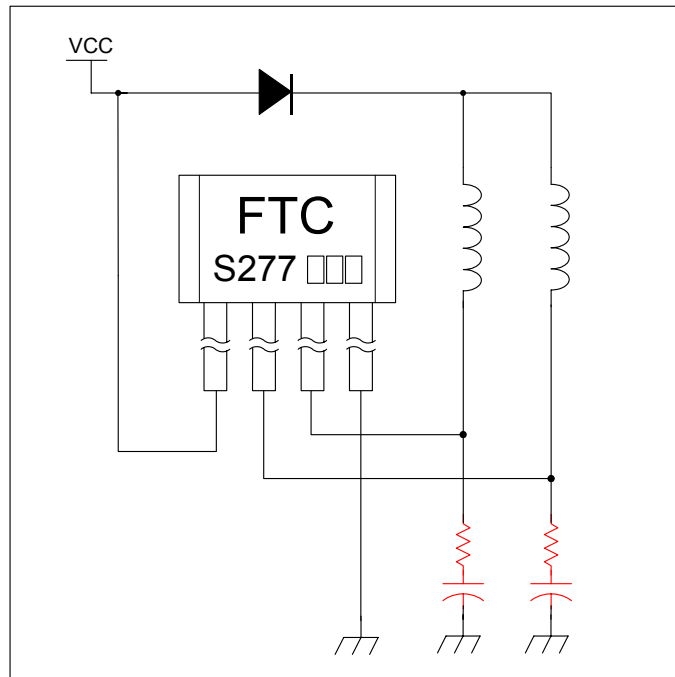
Features

- 1 chip hall sensor/drivers
- Wide operating voltage range: 3.0V~20V
- Output sink current up to 0.4A
- Package : TO-92SP-4

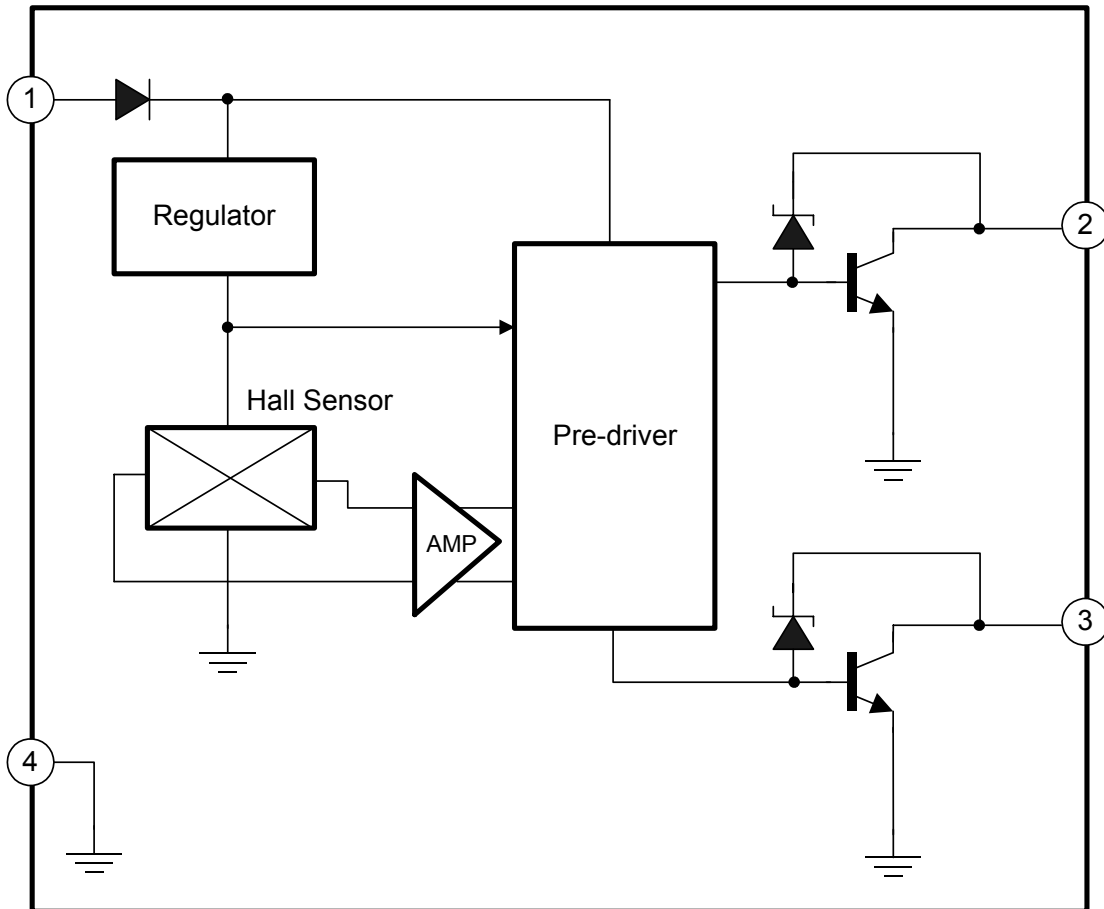


TO-92SP-4

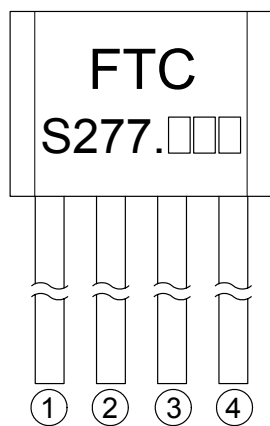
Typical Application Circuit



Functional Block Diagram



MARK VIEW

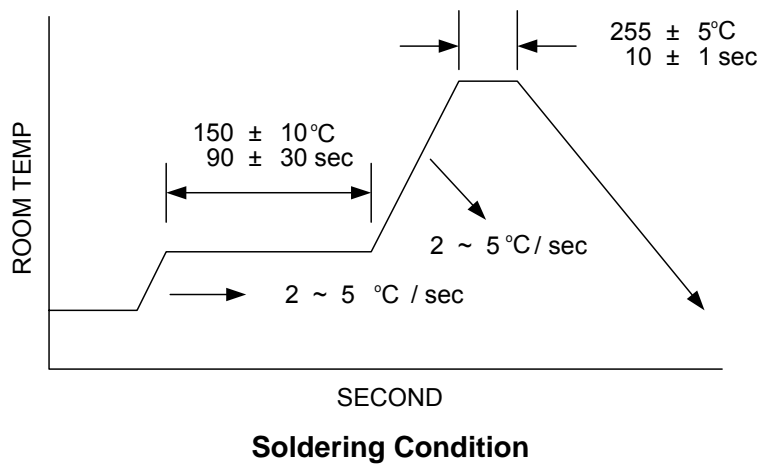


PIN DESCRIPTION

NAME	NO.	STATUS	DESCRIPTION
VCC	1	P	IC Power Supply
NO	2	O	Coil driver output It is low state during the N magnetic field.
SO	3	O	Coil driver output It is low state during the S magnetic field.
GND	4	P	IC Ground

Absolute Maximum Ratings (at Ta = 25 °C)

Zener Breakdown Voltage (Vz) -----	35V
NO/SO Pin Voltage(off) -----	30V
VCC Pin Voltage -----	20V
Peak Sink Current (Io)	
Peak Current-----	1A ≤ 100us
Hold Current-----	600mA
Continuous Current -----	400mA
Power Dissipation	
Ta=25 °C -----	700mW
Ta=95 °C -----	450mW
Thermal Resistance	
Θ _{ja} = -----	0.15 °C/mW
Operating Temperature Range -----	-20 °C to +85 °C
Storage Temperature Range -----	-65 °C to +150 °C
 Junction Temperature -----	 +150 °C
 Lead Temperature (Soldering, 10 sec) -----	 +260 °C



DC Electrical Characteristics (at Ta = 25°C)

PARAMETER	SYMBOL	TEST CONDITIONS	MIN	TYP	MAX	UNIT
Operating Voltage	V _{CC}	No use pin is open (Fig1)	3	-	20	V
Quiescent Supply current	I _{CC}	No use pin is open V _{CC} : 3V to 20V (Fig1)	-	18	20	mA
Output Leakage current	I _{leak}	V _{CC} =12V, V _{CE} =20V	-	<0.1	10	uA
NO/SO Saturation Voltage	V _{SAT}	I _o = 400mA	-	400	800	mV

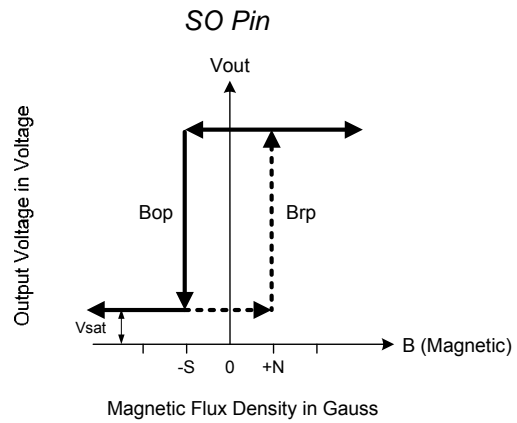
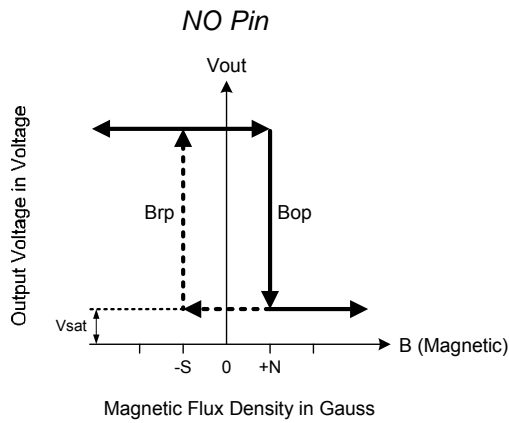
AC Electrical Characteristics

PARAMETER	SYMBOL	TEST CONDITIONS	MIN	TYP	MAX	UNIT
Rise time	(t _r)	RL=100ohm(5w) CL=20pF (Fig1)	0.1		0.3	uS
Fall time	(t _f)	RL=100ohm(5w) CL=20pF (Fig1)	100		180	nS

Magnetic Characteristics (1mT = 10Gauss)

<i>FS277LF-A</i>	<i>T_a = -20°C to +85°C</i>				
Parameter	Symbal	Min.	Typ	Max.	Unit
Operate Point	Bop	+5		+60	Gauss
Release Point	Brp	-60		-5	Gauss
Hysteresis	Bhys		60		Gauss

FS277 Magnetic Hysteresis Characteristics



Test Circuits:

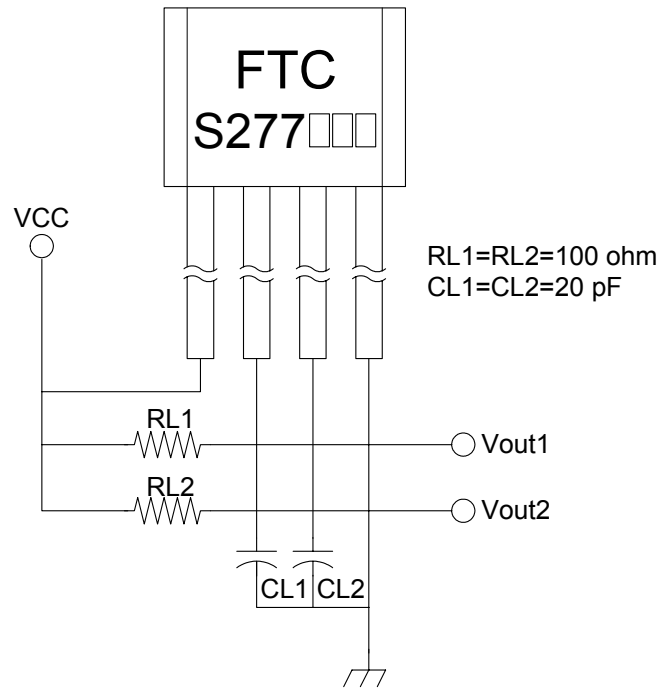


Fig 1

Typical Characteristics

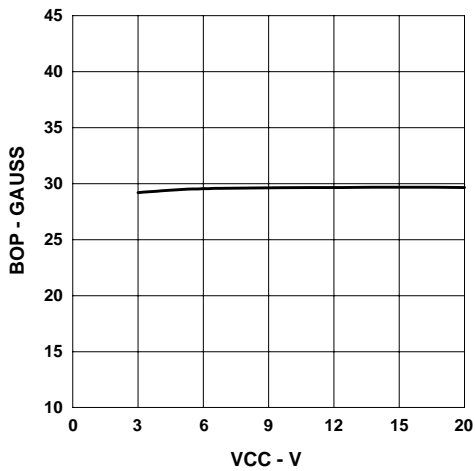


Figure 1

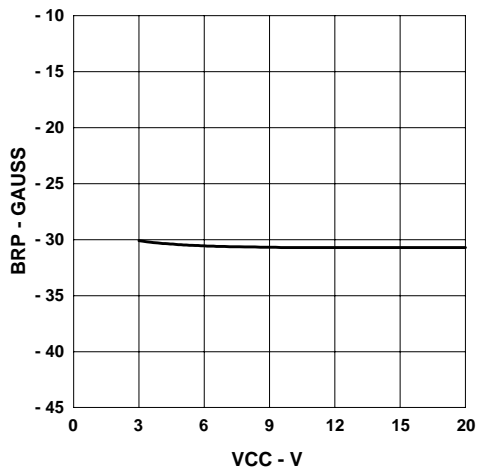


Figure 2

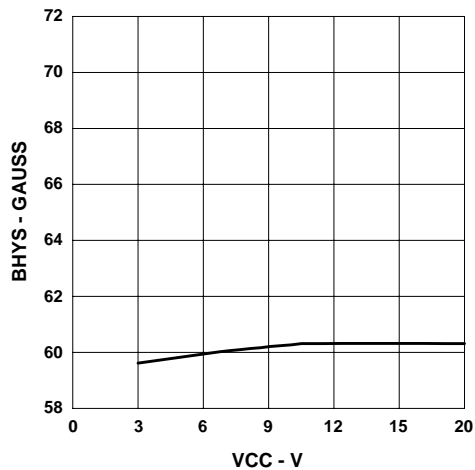


Figure 3

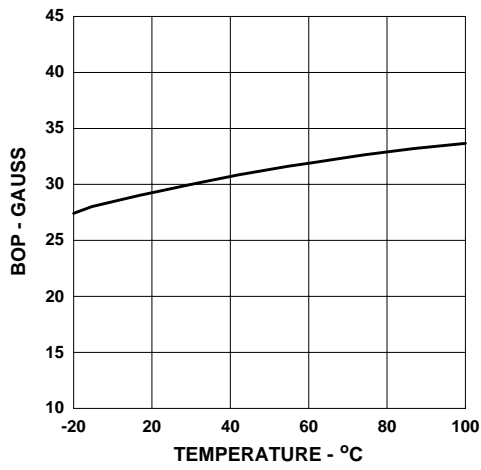


Figure 4

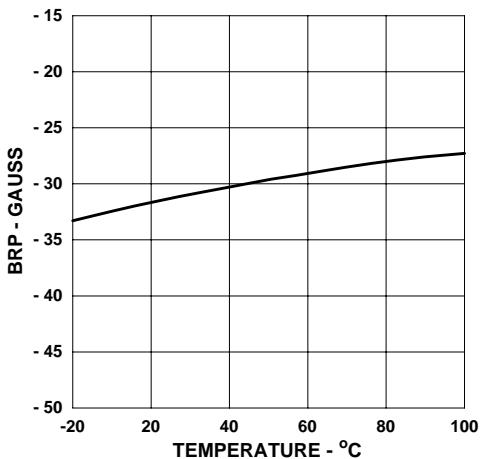


Figure 5

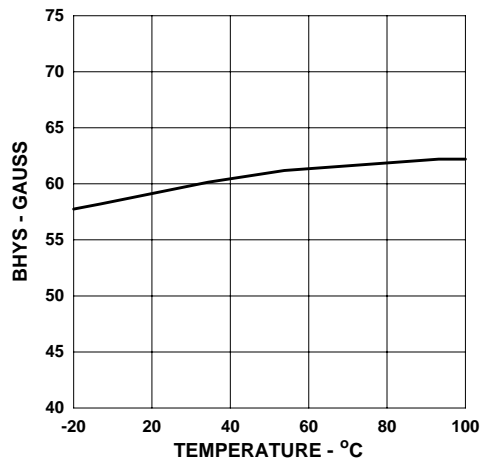


Figure 6

Function Descriptions

HALL SENSOR LOCATION

The Fig 2 is the hall sensor location, where marks the IC number. The best sensitivity, which can be intensified as much as possible, depends on the vertical distance and position between magnetic pole and the hall sensor (Fig 3). For the single-phase motor, this design is very important.

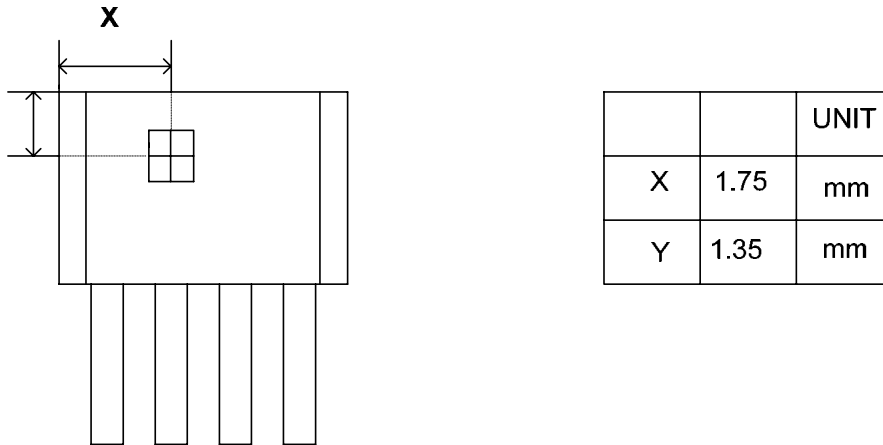


Fig 2 FS276 Hall Sensor Location

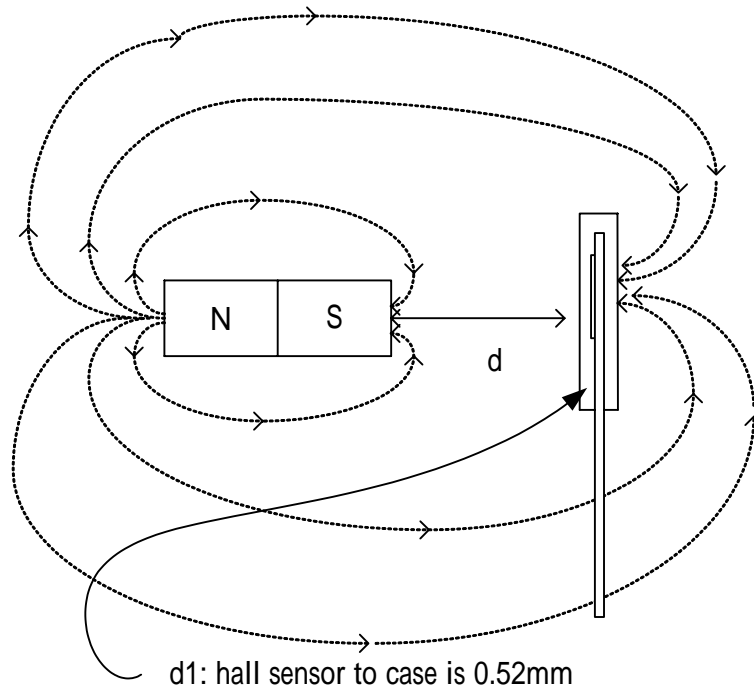


Fig 3 Magnetic Distribution and Z-axis position

Application Note

The Example of Typical Application Circuit

Fig 4 is the example of typical application circuit. The red, yellow, and black wires are the input points of the motor system: red, the input of power supply; yellow, the output of FG; black, the ground signal. R_C is an external pull-up resistance for the use of measuring FG signal. In view of the design, the value of R_C could be decided by the transistor saturation voltage (V_{ON}), sink current (I_C), and off-level voltage (V_C).

The formula is:
$$R_C = \frac{V_C - V_{ON}}{I_C}$$

For example:

$V_C = +5V$ for TTL level.

$I_C = 10mA$ at 0.2V saturation voltage

The safety value of $R_C = 470$

D1 is the reverse protection diode. As if the red and black wires reversely connect with the power source, the current will flow through the ground via IC and coils L1 and L2 to power supply. Under such kind of circumstances, the IC and coils are easy to be burned out. Therefore, D1, the reverse protection diode, is necessary for the design. However, D1 will also cause an extra voltage drop on the supply voltage.

C1 is a capacitor to reduce the ripple noise caused during the transient of the output stages.

The volume of the ripple noise depends on the coil impedance and characteristics.

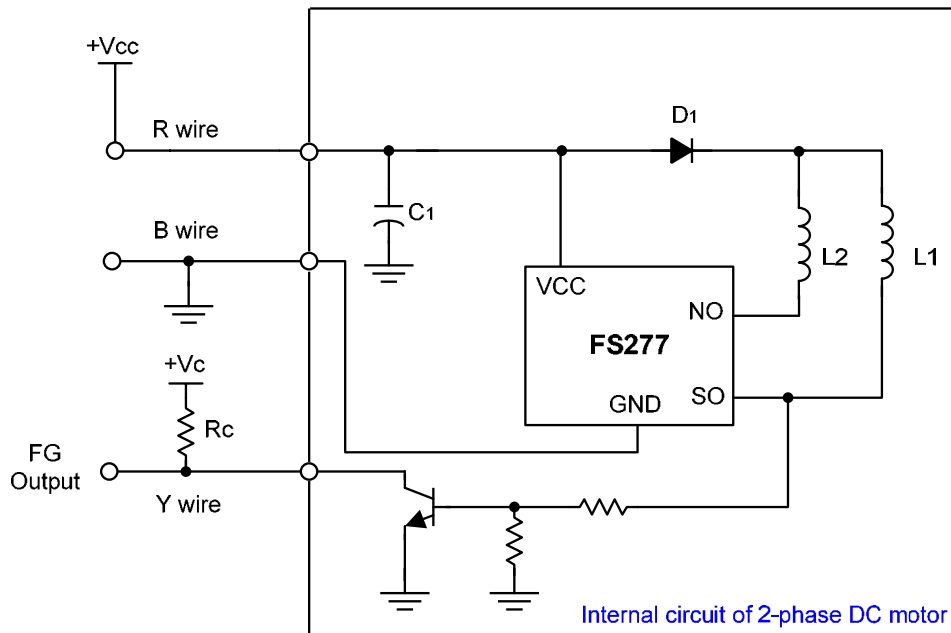
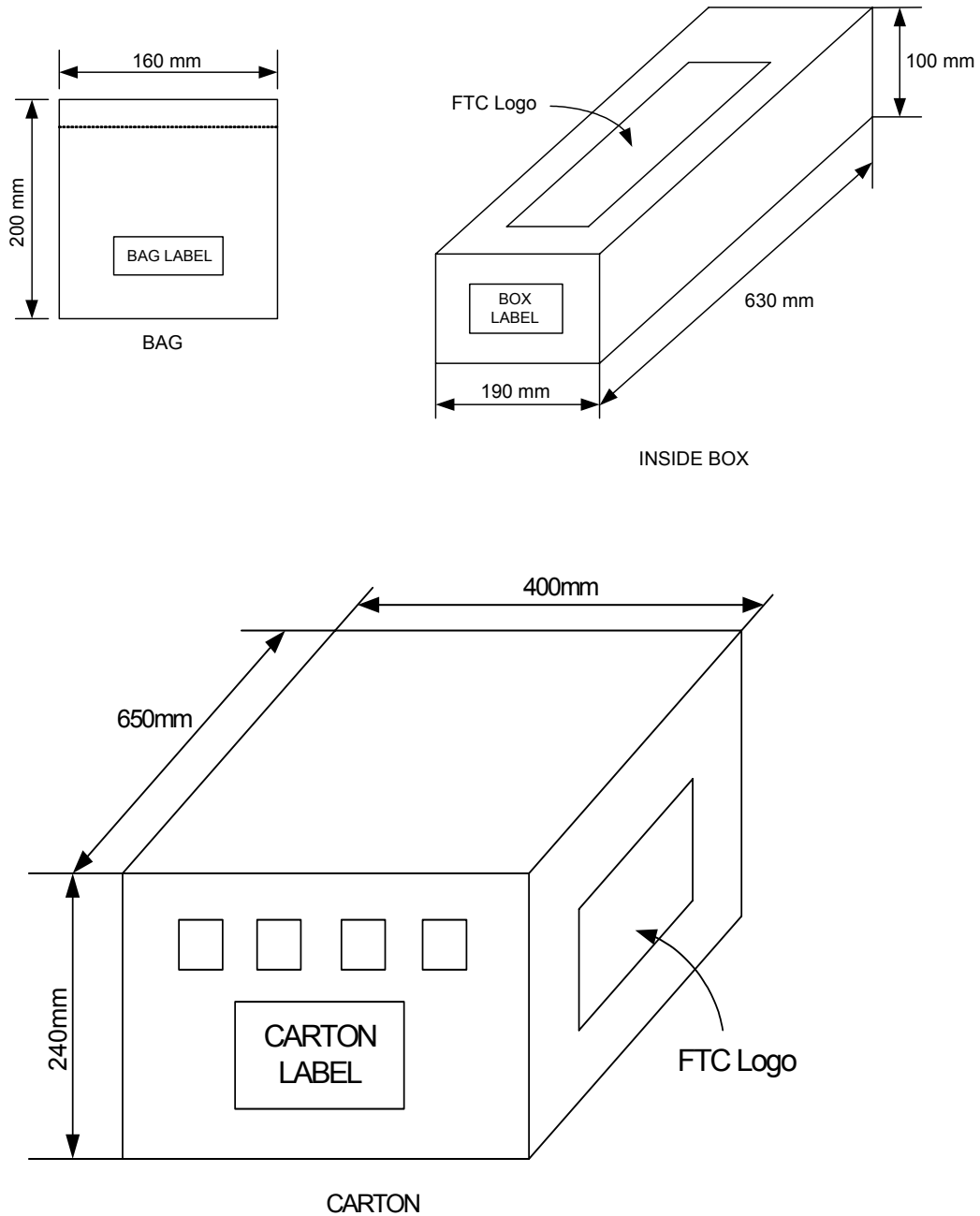


Fig 4 Application Circuit

Packing Specifications

BAG & BOX DIMENSION

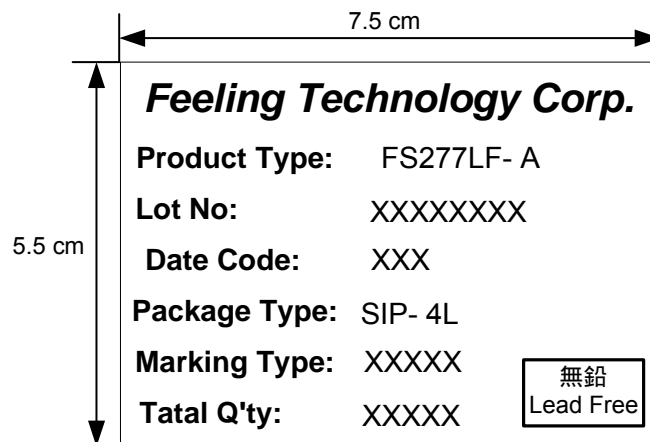


PACKING QUANTITY SPECIFICATIONS

1000 EA/1 BAG

25 BAGS/1 INSIDE BOX

4 INSIDE BOXES/1 CARTON

Label Specification


BAG LABEL, INSIDE BOX & CARTON LABEL

ORDER INFORMATION

Part Number	Operating Temperature	Package	Description
FS277LF-A	-20°C to 85°C	TO-92SP-4	±60G (B)