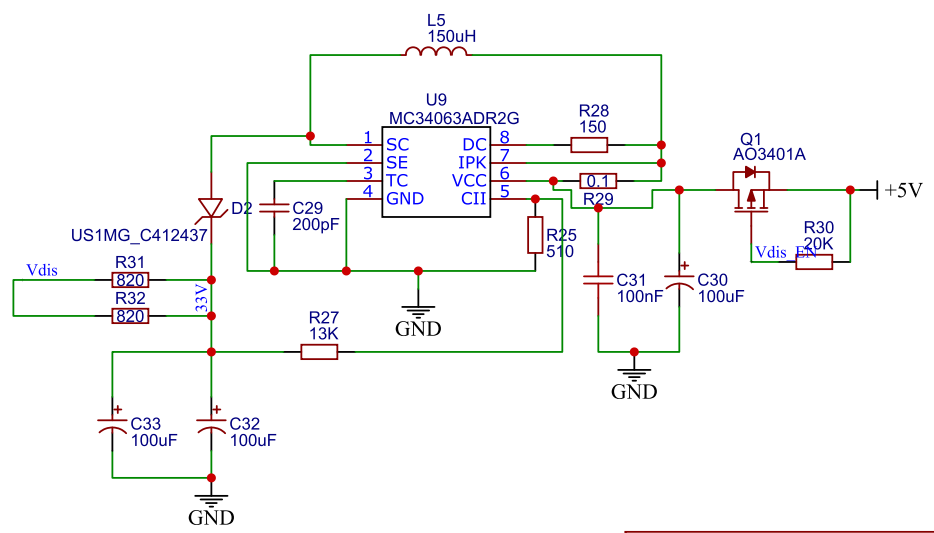
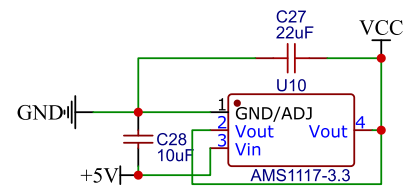
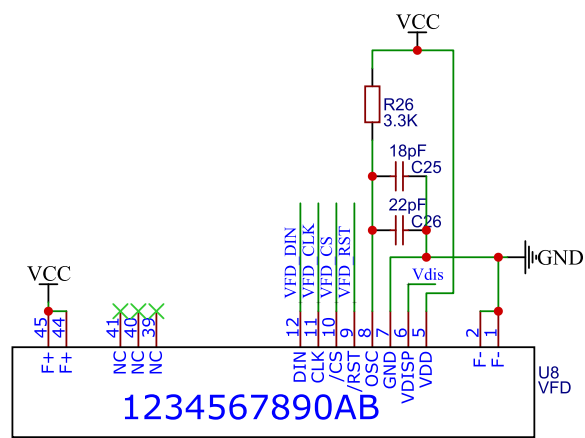


TITLE: ADC		REV: 1.0
Company: Adu's Electronic Hobby Lab		Sheet: 1/1
Date: 2021-02-03	Drawn By: Aduecho	

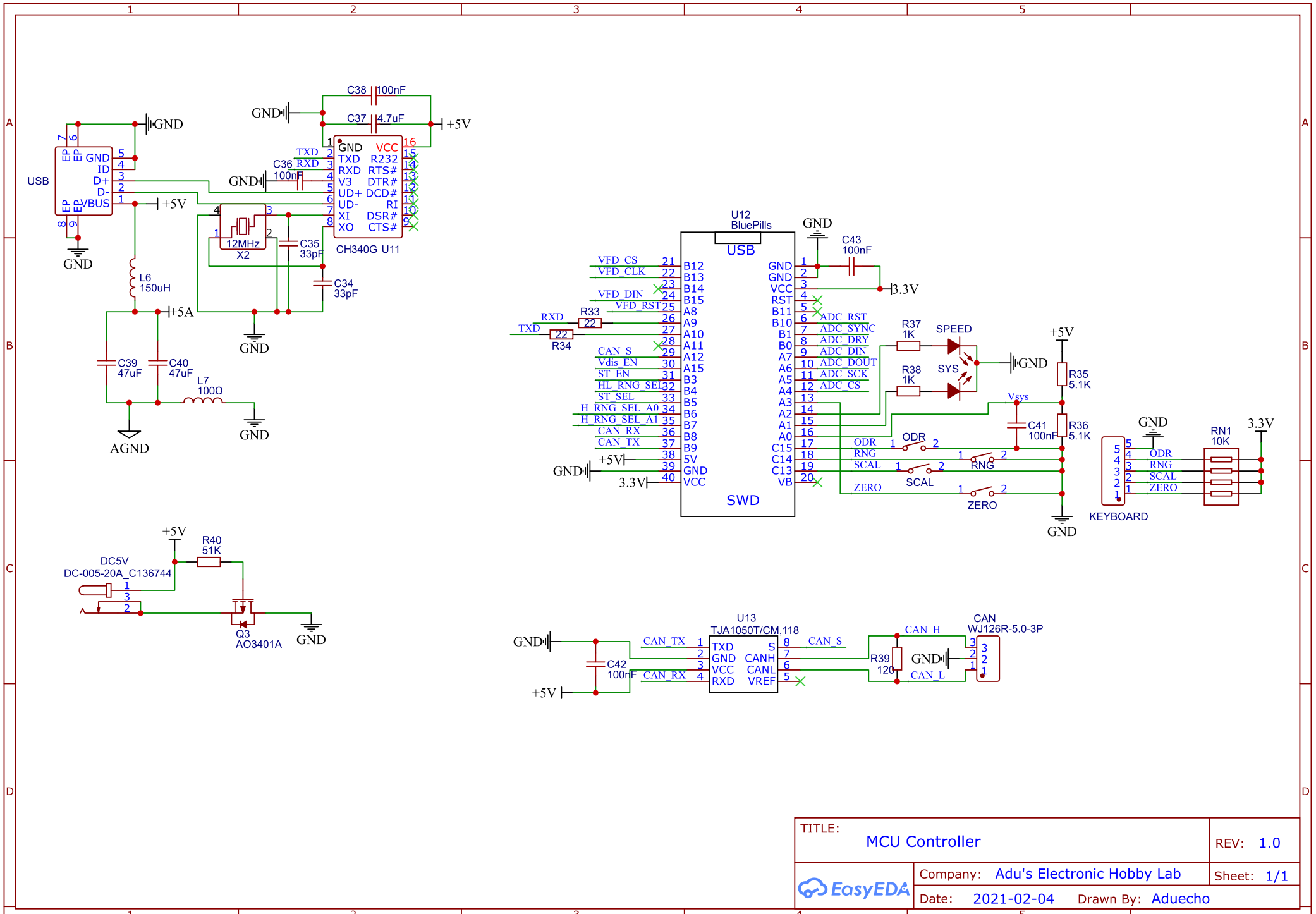






TITLE: VFD Driver		REV: 1.0
	Company: Adu's Electronic Hobby Lab	Sheet: 1/1
	Date: 2021-02-04	Drawn By: Aduecho





TITLE: MCU Controller		REV: 1.0
	Company: Adu's Electronic Hobby Lab	Sheet: 1/1
	Date: 2021-02-04	Drawn By: Aduecho

