

Sheet: Controller



File: controller.sch

Sheet: dimmer



File: dimmer.sch

<https://gitlab.com/knx-makerstuff/kups-dim-6cvled>

by SirSydom <com@sirsydom.de>

**KNX Makerstuff**

Sheet: /

File: KUPS-DIM-6CVLED.sch

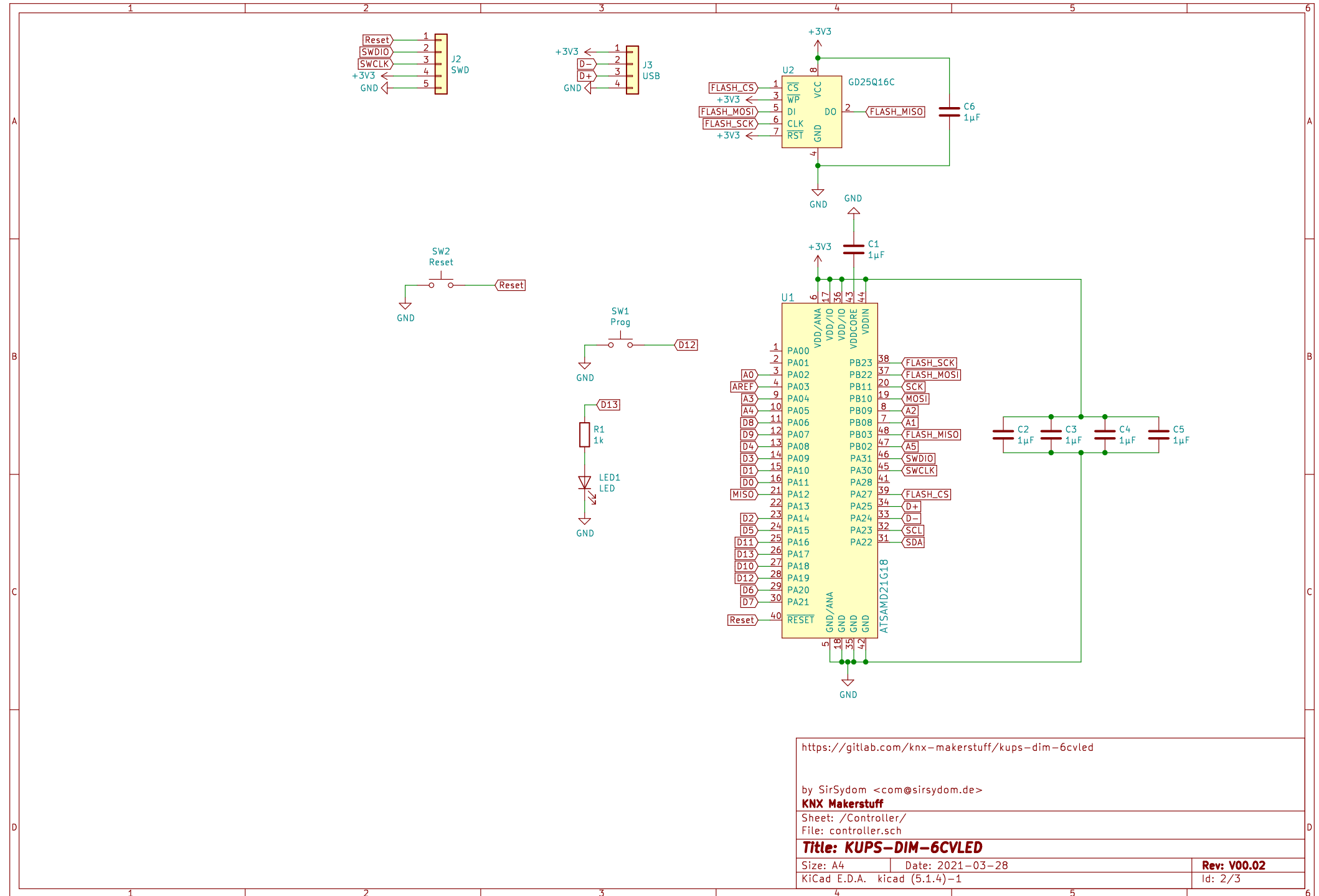
**Title: KUPS-DIM-6CVLED**

Size: A4 Date: 2021-03-28

KiCad E.D.A. kicad (5.1.4)-1

**Rev: V00.02**

Id: 1/3



<https://gitlab.com/knx-makerstuff/kups-dim-6cvled>

by SirSydom <com@sirsydom.de>

**KNX Makerstuff**

Sheet: /Controller/

File: controller.sch

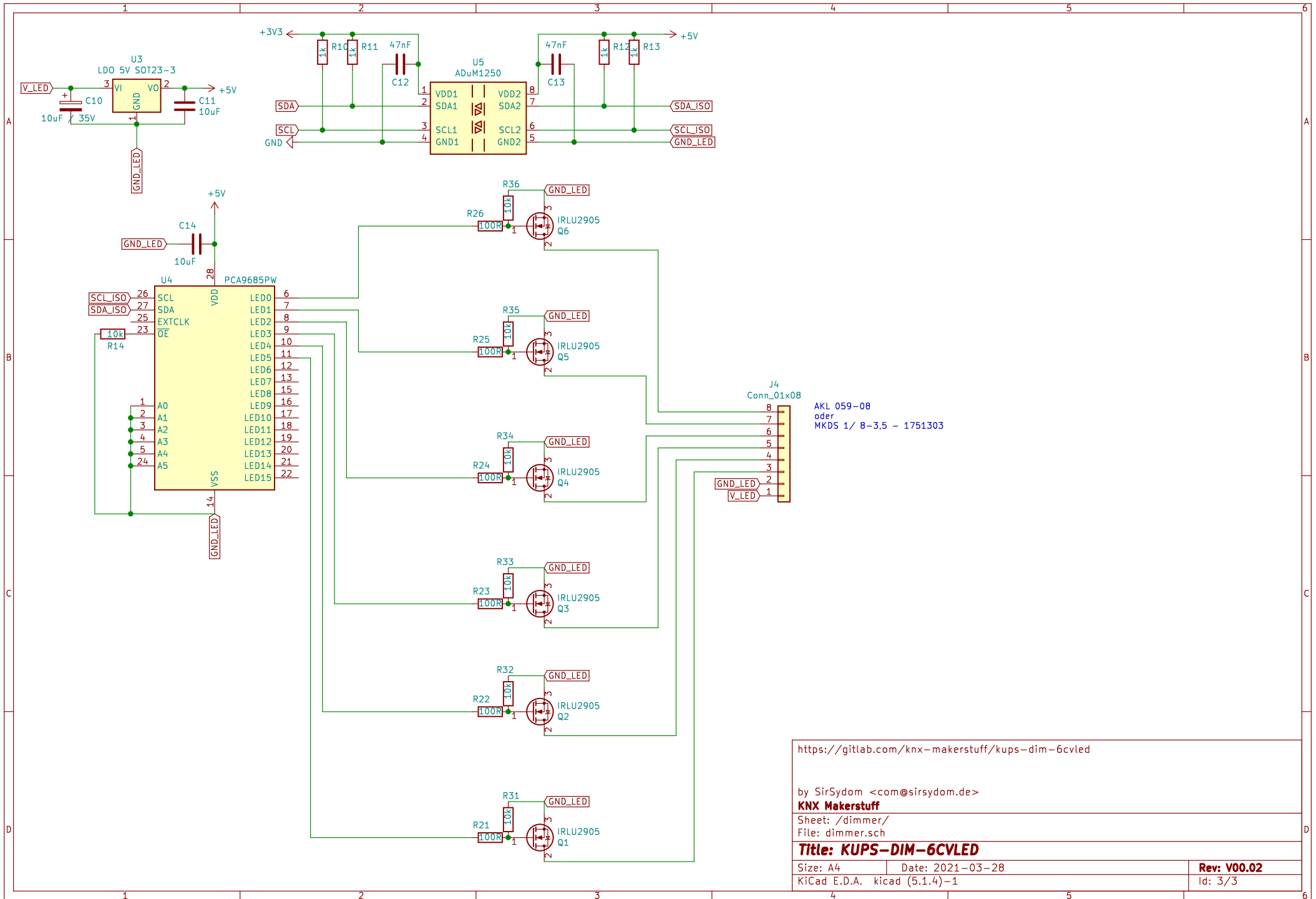
**Title: KUPS-DIM-6CVLED**

Size: A4 Date: 2021-03-28

KiCad E.D.A. kicad (5.1.4)-1

**Rev: V00.02**

Id: 2/3



<https://gitlab.com/knx-makerstuff/kups-dim-6cvled>

by SirSydom <com@sirsydom.de>

**KNX Makerstuff**

Sheet: /dimmer/

File: dimmer.sch

**Title: KUPS-DIM-6CVLED**

Size: A4 Date: 2021-03-28

KiCad E.D.A. kicad (5.1.4)-1

**Rev: V00.02**

Id: 3/3