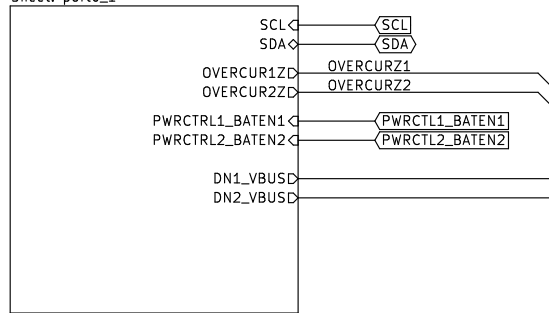
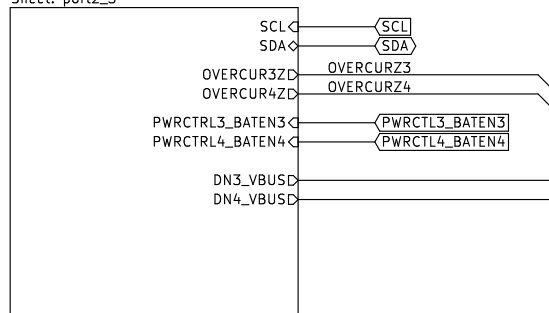


Sheet: port0_1



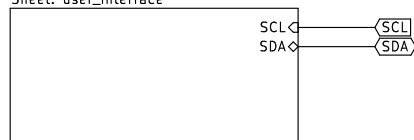
File: port0_1.sch

Sheet: port2_3



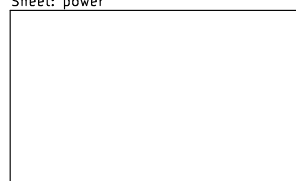
File: port2_3.sch

Sheet: user_interface



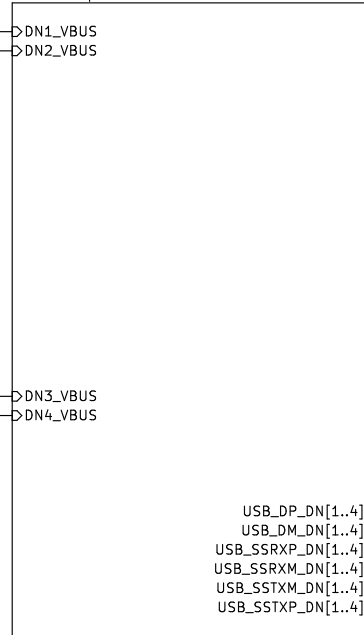
File: user_interface.sch

Sheet: power



File: power.sch

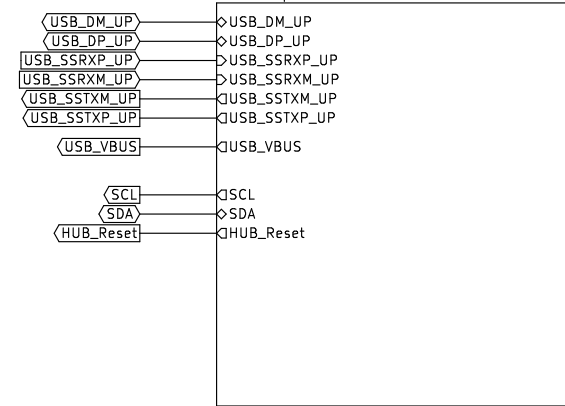
Sheet: outputs



File: outputs.sch

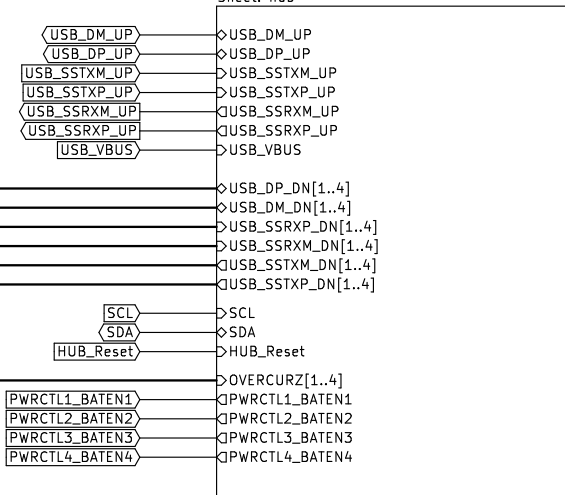
OVERCURZ[1..4]

Sheet: input



File: input.sch

Sheet: hub



File: hub.sch

Sheet: /
File: port-plane.sch

Title:

Size: A4

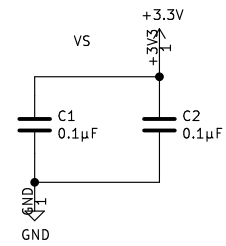
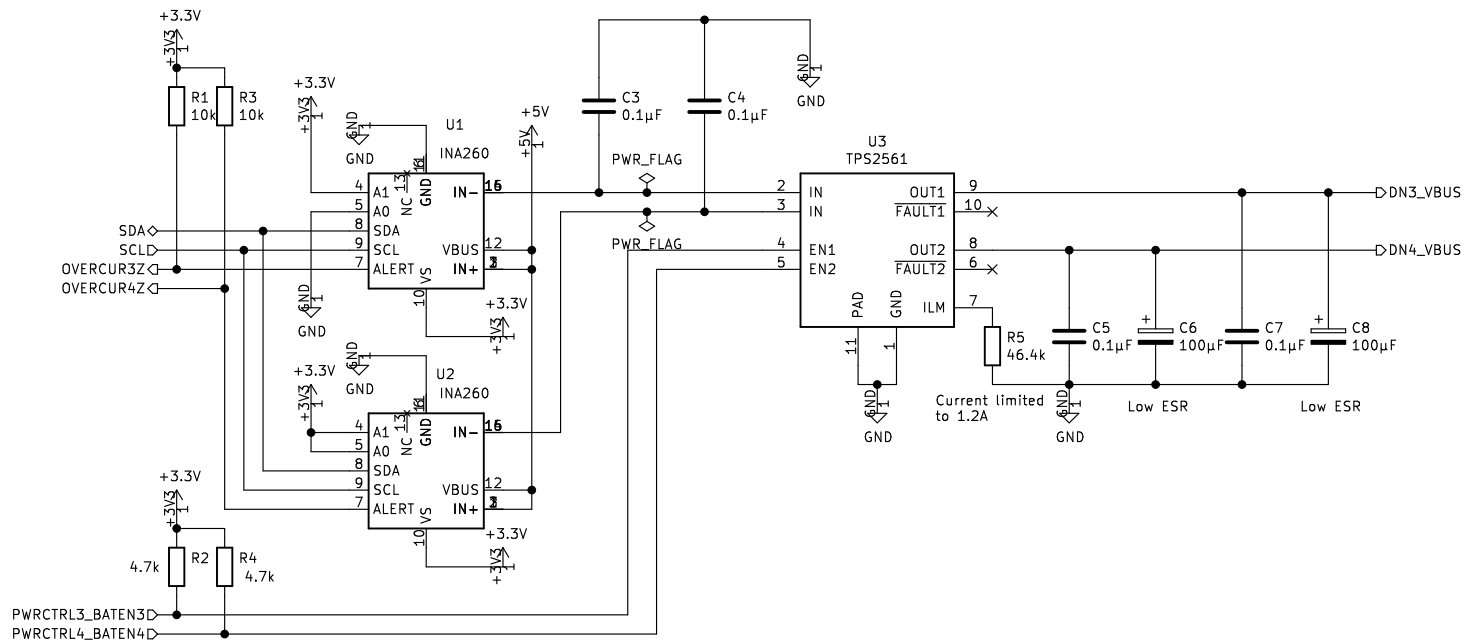
Date:

KiCad E.D.A. kicad (5.1.9-0-10_14)

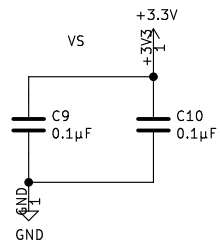
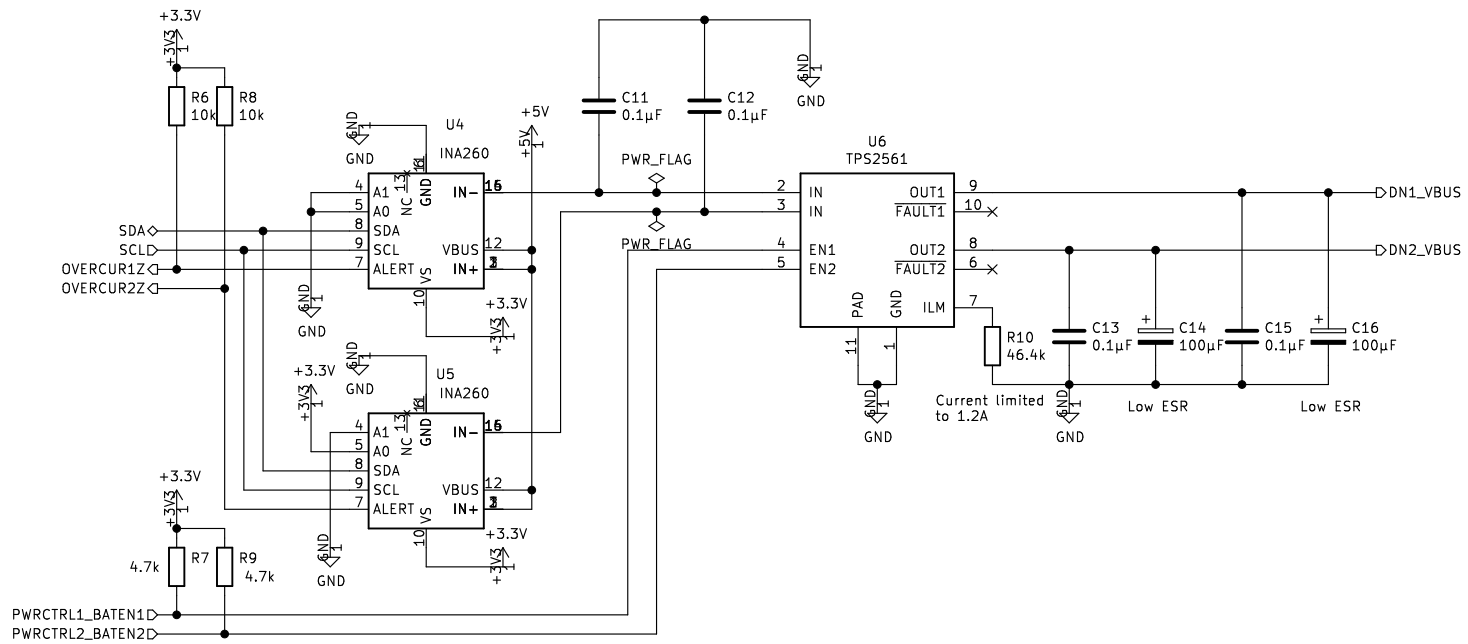
Rev: 0.2

Id: 1/12





Sheet: /port2_3/		Date:	
File: port2_3.sch		Rev: 0.1	
Title: Port Plane		Id: 2/12	
Size: A4	KiCad E.D.A. kicad (5.1.9-0-10_14)		



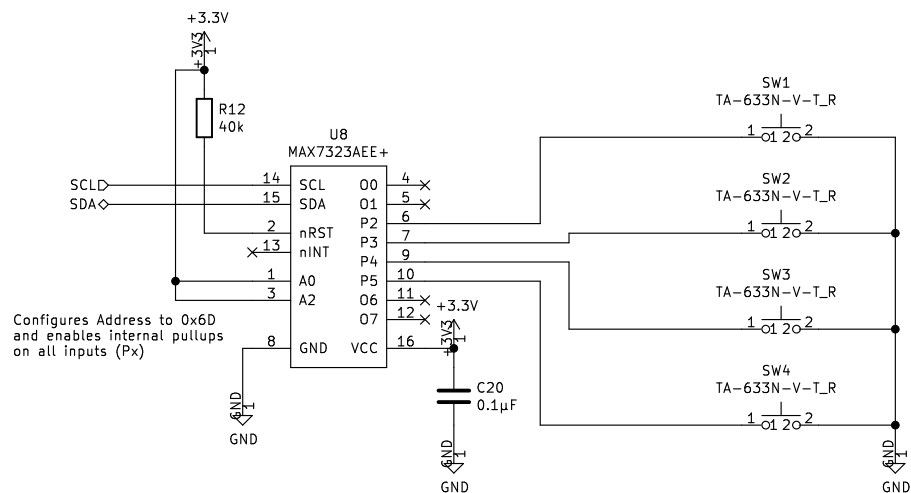
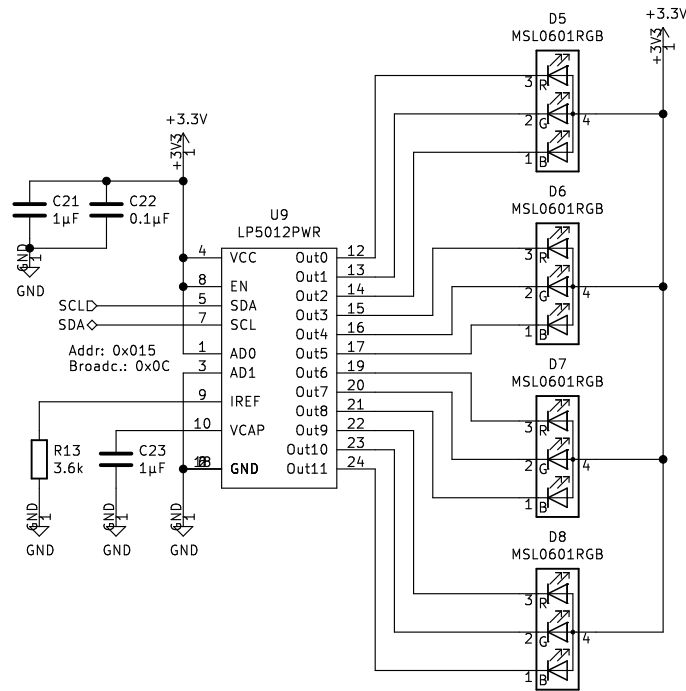
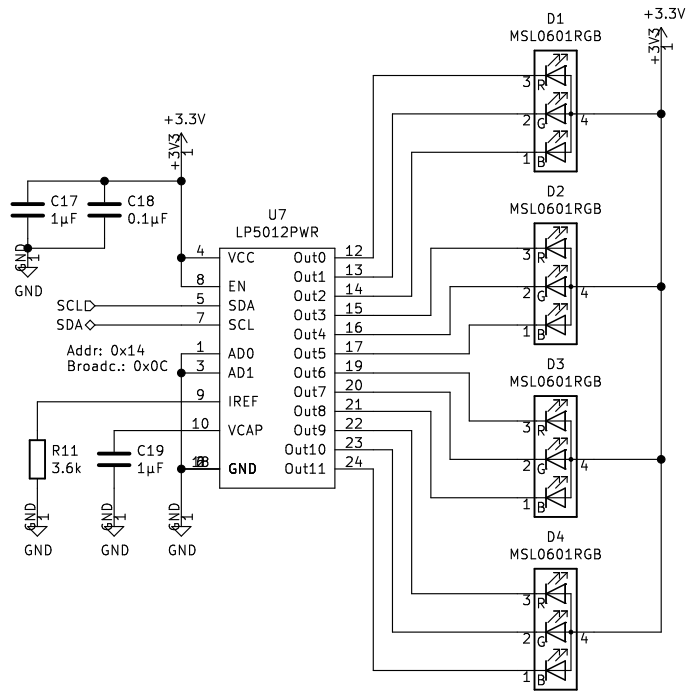
Sheet: /port0_1/
File: port0_1.sch

Title:

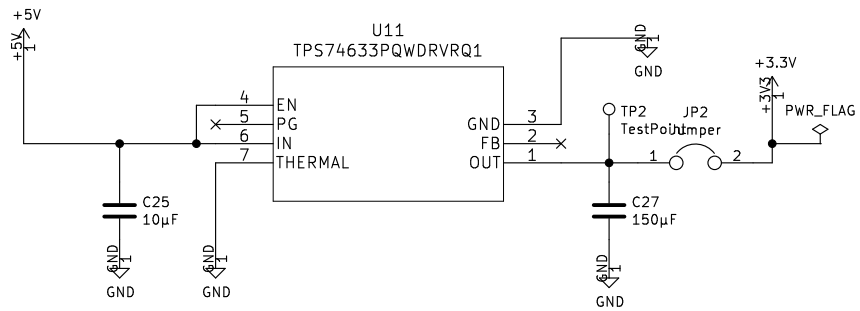
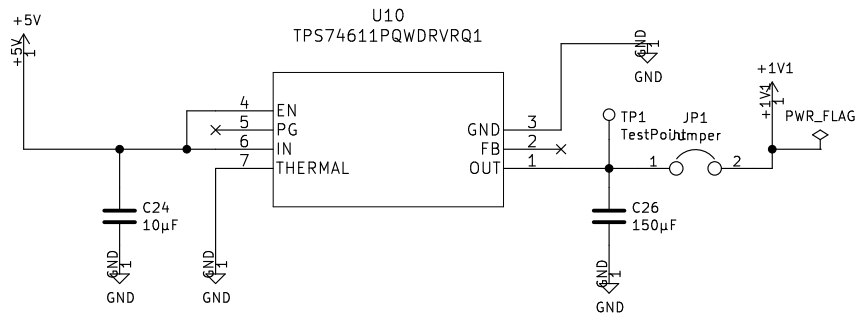
Size: A4
KiCad E.D.A. kicad (5.1.9-0-10_14)

Date:

Rev:
Id: 3/12



Sheet: /user_interface/	
File: user_interface.sch	
Title:	
Size: A4	Date:
KiCad E.D.A. kicad (5.1.9-0-10_14)	Rev: 4/12

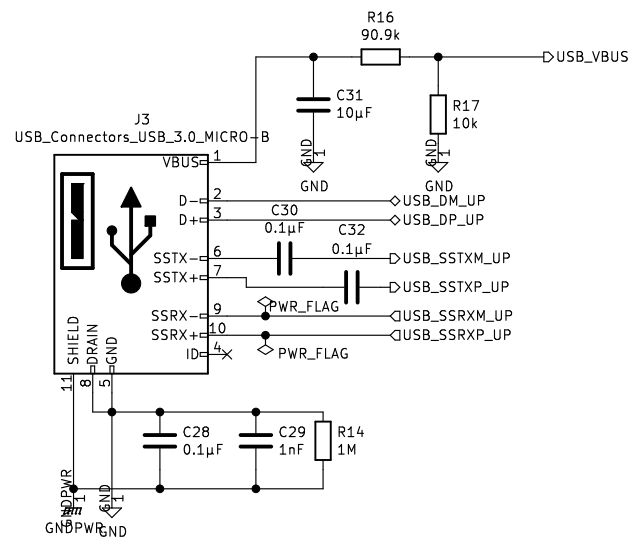
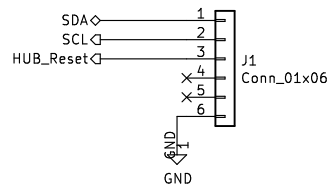
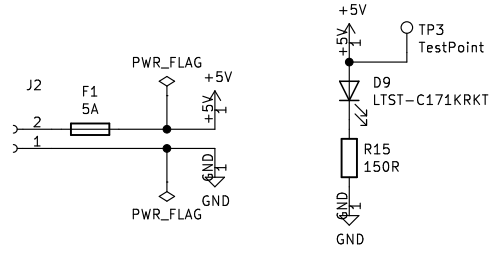
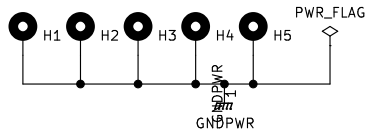


Sheet: /power/
File: power.sch

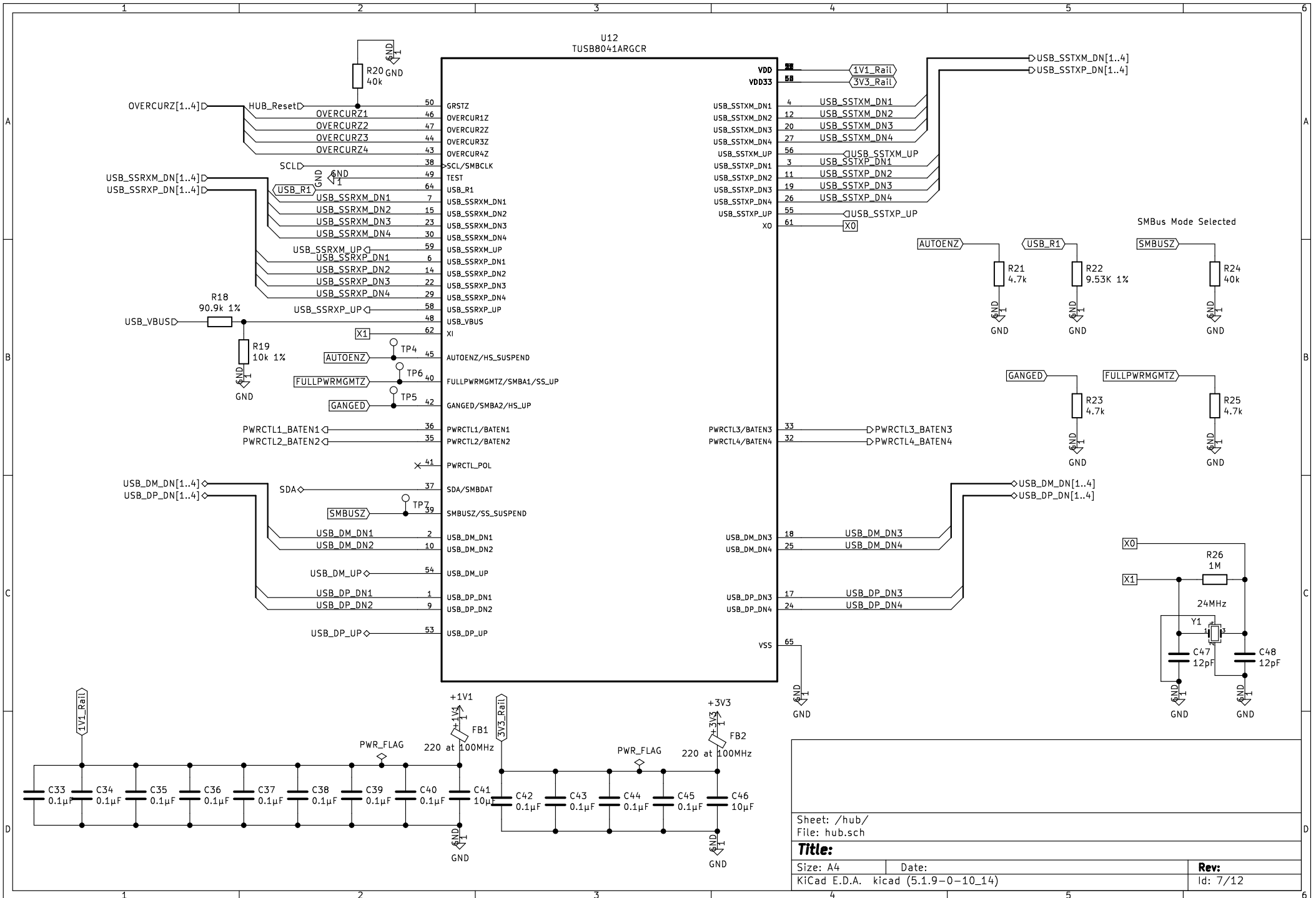
Title:

Size: A4 Date:
KiCad E.D.A. kicad (5.1.9-0-10_14)

Rev:
Id: 5/12



Sheet: /input/		Date:	
File: input.sch		Rev:	
Size: A4	KiCad E.D.A. kicad (5.1.9-0-10_14)	Id: 6/12	

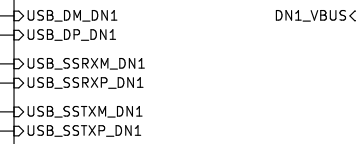


Sheet: /hub/		File: hub.sch	
Title:			
Size: A4	Date:	Rev:	
KiCad E.D.A. kicad (5.1.9-0-10_14)		Id: 7/12	

USB_DM_DN[1..4] ◊
 USB_DP_DN[1..4] ◊
 USB_SSRXM_DN[1..4] ◊
 USB_SSRXP_DN[1..4] ◊
 USB_SSTXM_DN[1..4] ◊
 USB_SSTXP_DN[1..4] ◊

USB_DM_DN1
 USB_DP_DN1
 USB_SSRXM_DN1
 USB_SSRXP_DN1
 USB_SSTXM_DN1
 USB_SSTXP_DN1

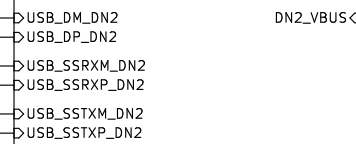
Sheet: output1



File: output1.sch

USB_DM_DN2
 USB_DP_DN2
 USB_SSRXM_DN2
 USB_SSRXP_DN2
 USB_SSTXM_DN2
 USB_SSTXP_DN2

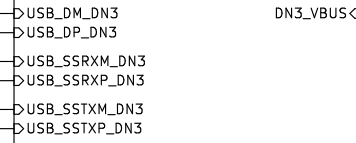
Sheet: output2



File: output2.sch

USB_DM_DN3
 USB_DP_DN3
 USB_SSRXM_DN3
 USB_SSRXP_DN3
 USB_SSTXM_DN3
 USB_SSTXP_DN3

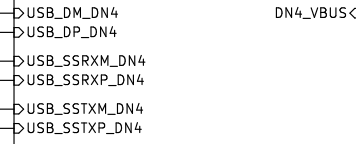
Sheet: output3



File: output3.sch

USB_DM_DN4
 USB_DP_DN4
 USB_SSRXM_DN4
 USB_SSRXP_DN4
 USB_SSTXM_DN4
 USB_SSTXP_DN4

Sheet: output4



File: output4.sch

Sheet: /outputs/
 File: outputs.sch

Title:

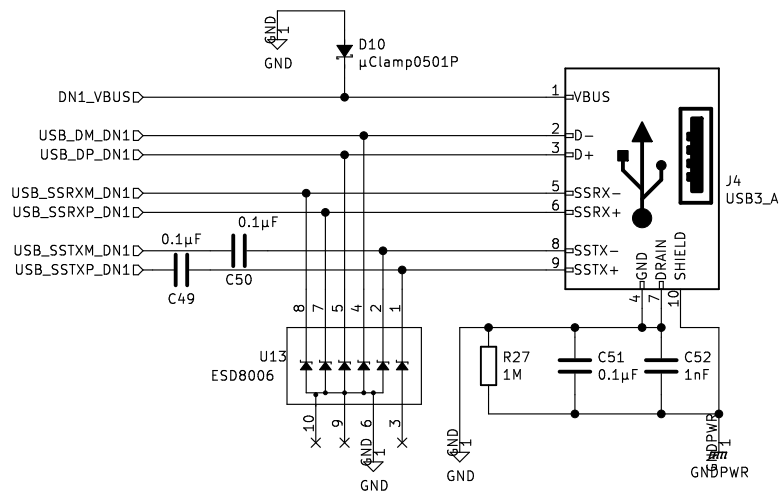
Size: A4

Date:

KiCad E.D.A. kicad (5.1.9-0-10_14)

Rev:

Id: 8/12

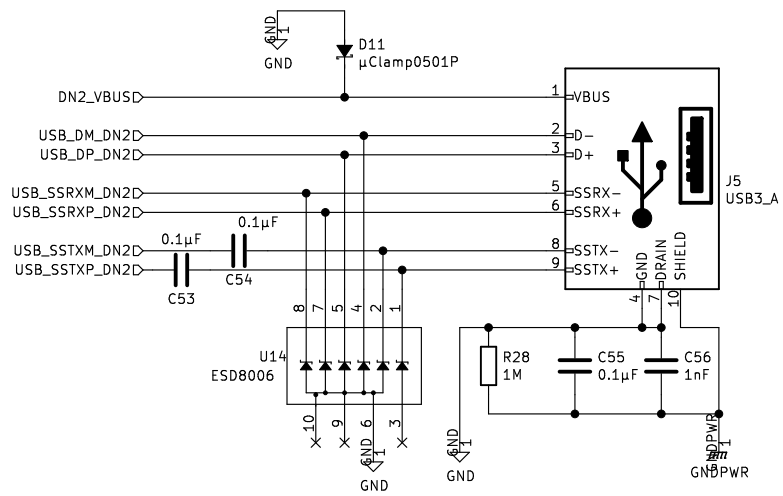


Sheet: /outputs/output1/
File: output1.sch

Title:

Size: A4
KiCad E.D.A. kicad (5.1.9-0-10_14)

Date:
Rev: 9/12

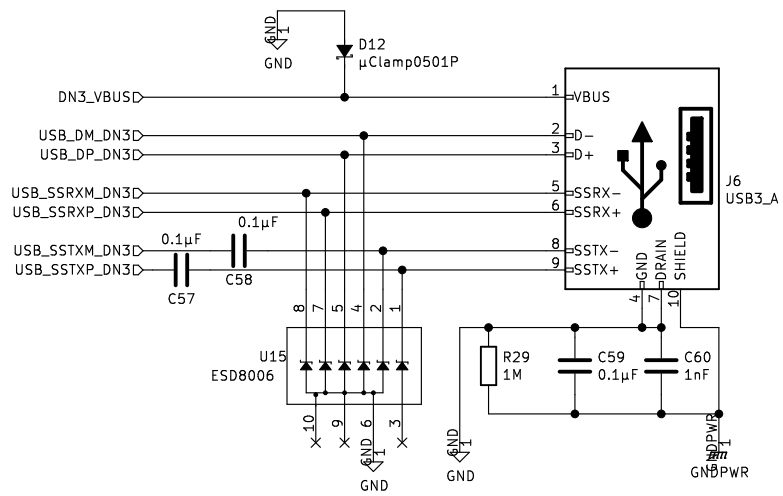


Sheet: /outputs/output2/
File: output2.sch

Title:

Size: A4
KiCad E.D.A. kicad (5.1.9-0-10_14)

Date:
Rev: 10/12

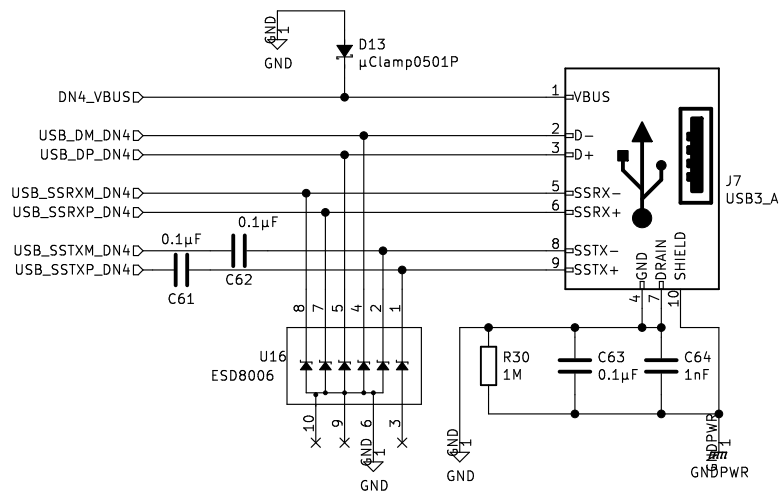


Sheet: /outputs/output3/
File: output3.sch

Title:

Size: A4
KiCad E.D.A. kicad (5.1.9-0-10_14)

Date:
Rev: Id: 11/12



Sheet: /outputs/output4/
File: output4.sch

Title:

Size: A4
KiCad E.D.A. kicad (5.1.9-0-10_14)

Date:
Rev: Id: 12/12