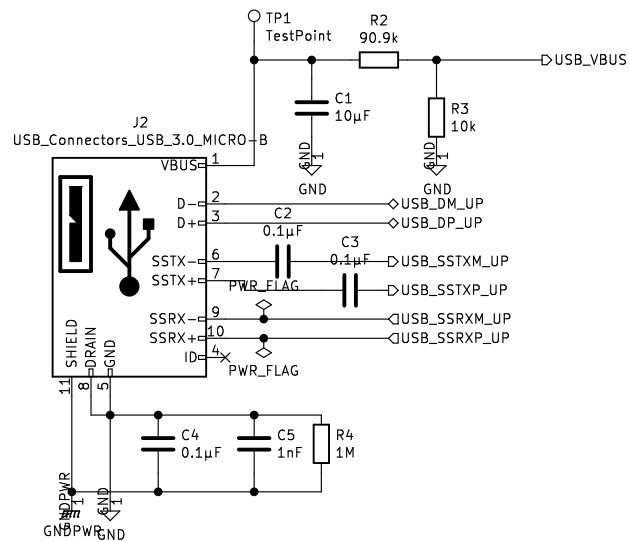
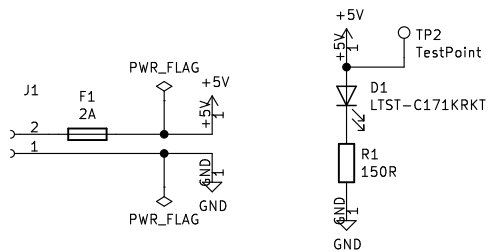
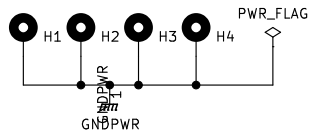


Sheet: /	
File: base-plane.sch	
Title: DevPort Base-Plane	
Size: A4	Date: 2021-02-17
KiCad E.D.A. kicad (5.1.9-0-10_14)	Rev: 0.1
	Id: 1/7

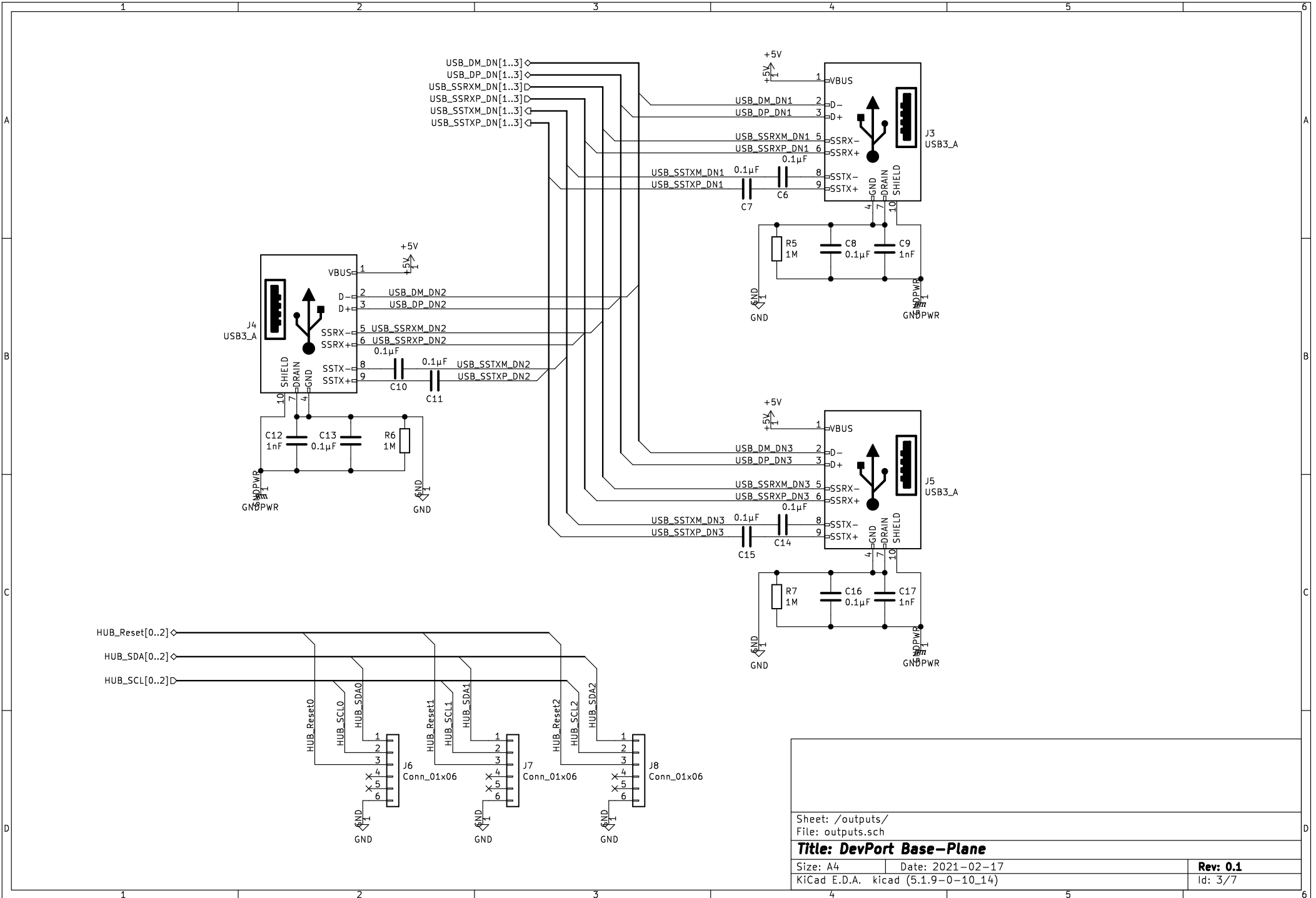


Sheet: /inputs/
File: inputs.sch

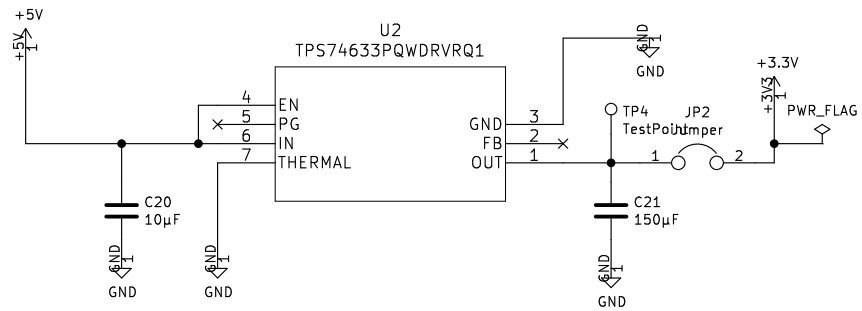
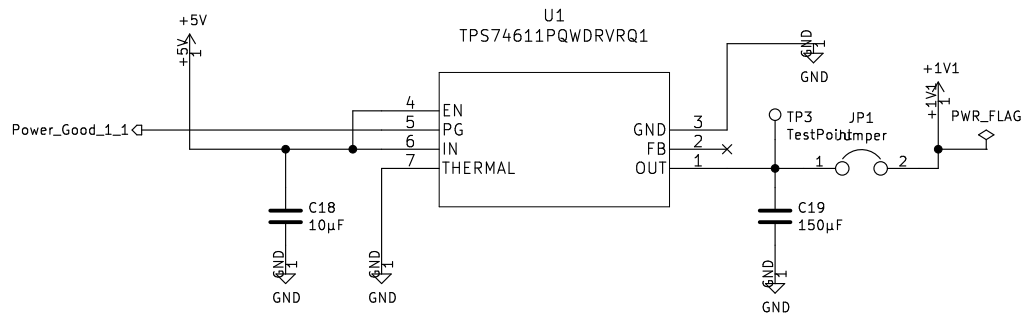
Title: DevPort Base-Plane

Size: A4 Date: 2021-02-17
KiCad E.D.A. kicad (5.1.9-0-10_14)

Rev: 0.1
Id: 2/7



Sheet: /outputs/		File: outputs.sch	
Title: DevPort Base-Plane			
Size: A4	Date: 2021-02-17	Rev: 0.1	
KiCad E.D.A. kicad (5.1.9-0-10_14)		Id: 3/7	

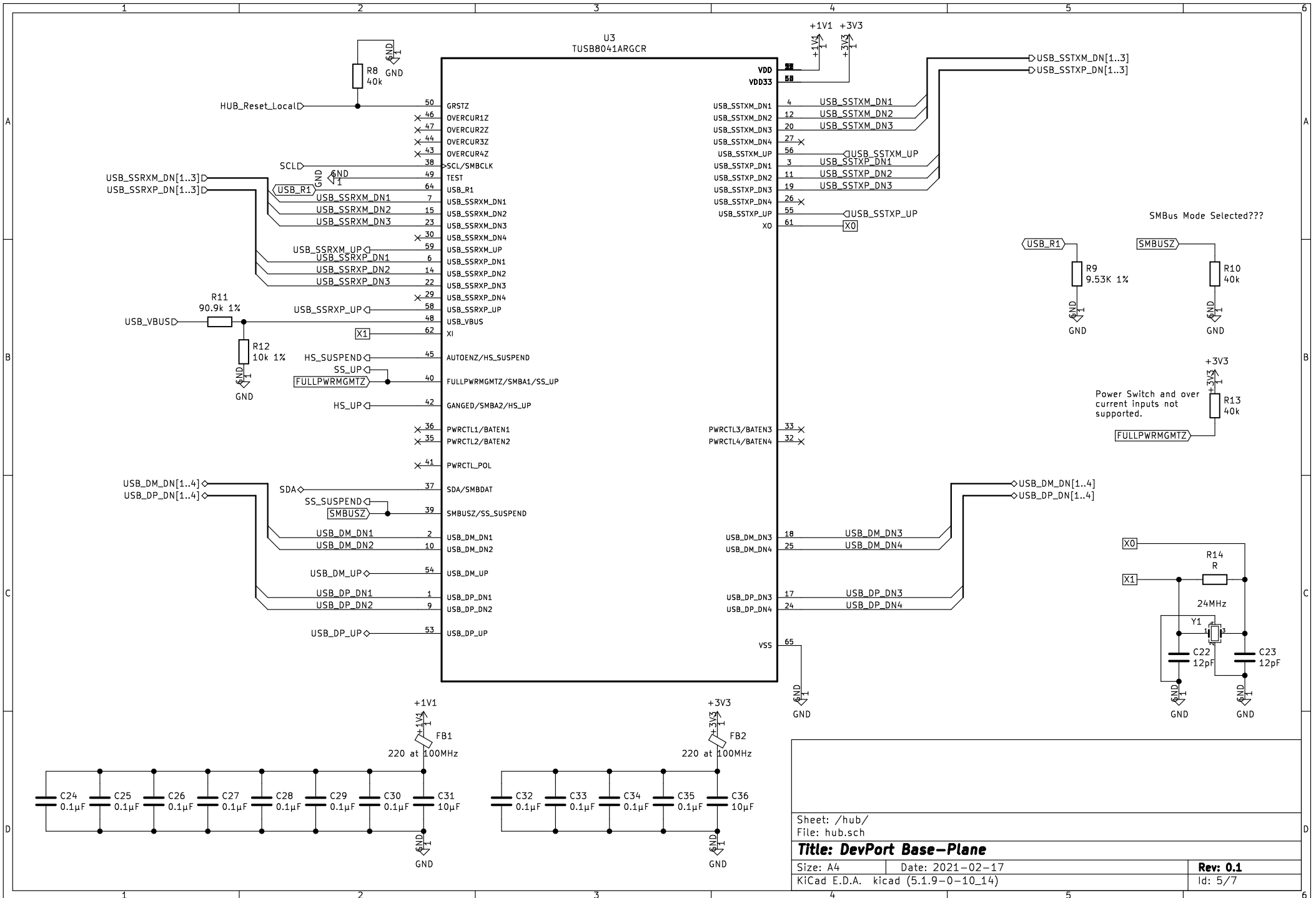


Sheet: /power/
File: power.sch

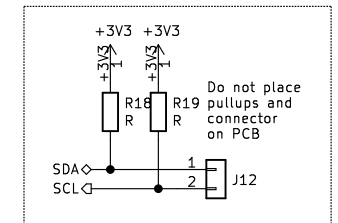
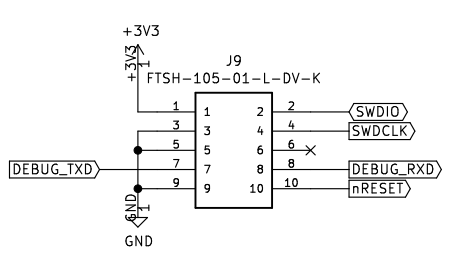
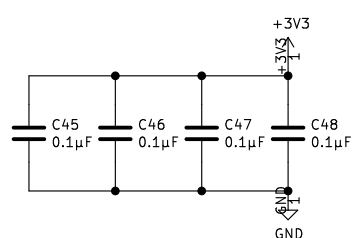
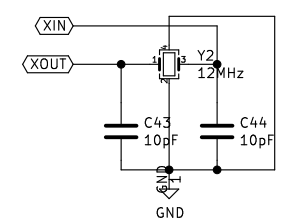
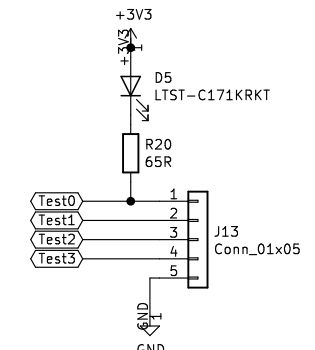
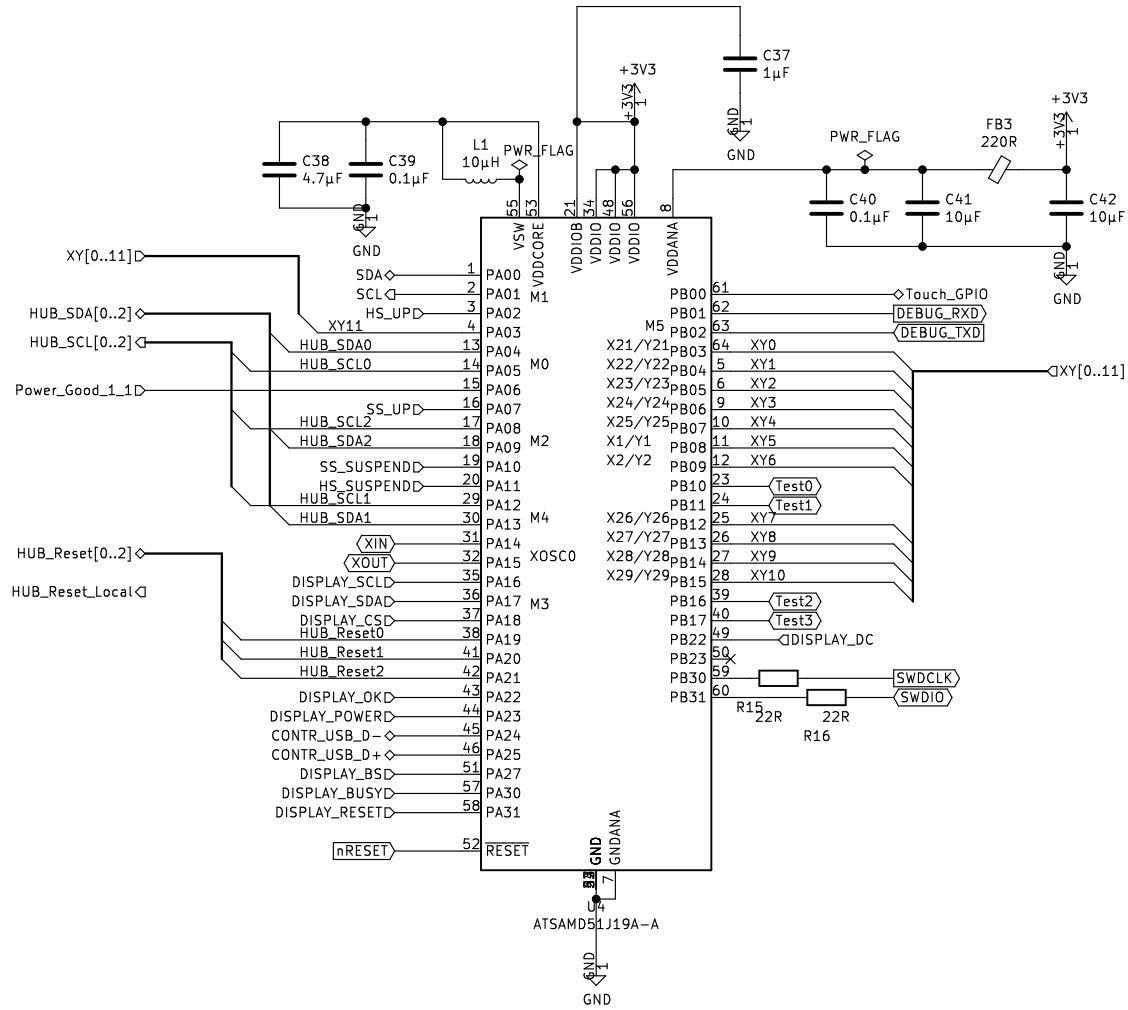
Title: DevPort Base-Plane

Size: A4 Date: 2021-02-17
KiCad E.D.A. kicad (5.1.9-0-10_14)

Rev: 0.1
Id: 4/7



Sheet: /hub/		File: hub.sch	
Title: DevPort Base-Plane			
Size: A4	Date: 2021-02-17		Rev: 0.1
KiCad E.D.A. kicad (5.1.9-0-10_14)			Id: 5/7



Sheet: /controller/ File: controller.sch	
Title: DevPort Base-Plane	
Size: A4	Date: 2021-02-17
KiCad E.D.A. kicad (5.1.9-0-10_14)	Rev: 0.1 Id: 6/7

