

J1-A6 → UZ+
 J1-A4 →
 J1-A2 →
 J1-C6 →
 J1-C4 →
 J1-C2 →

J1-C8 → 12V_PRI/2.1B
 J1-A8 →
 J1-A10 → GND1/2.1B
 J1-C10 →

J1-A18 → UZ-
 J1-A16 →
 J1-A14 →
 J1-C18 →
 J1-C16 →
 J1-C14 →

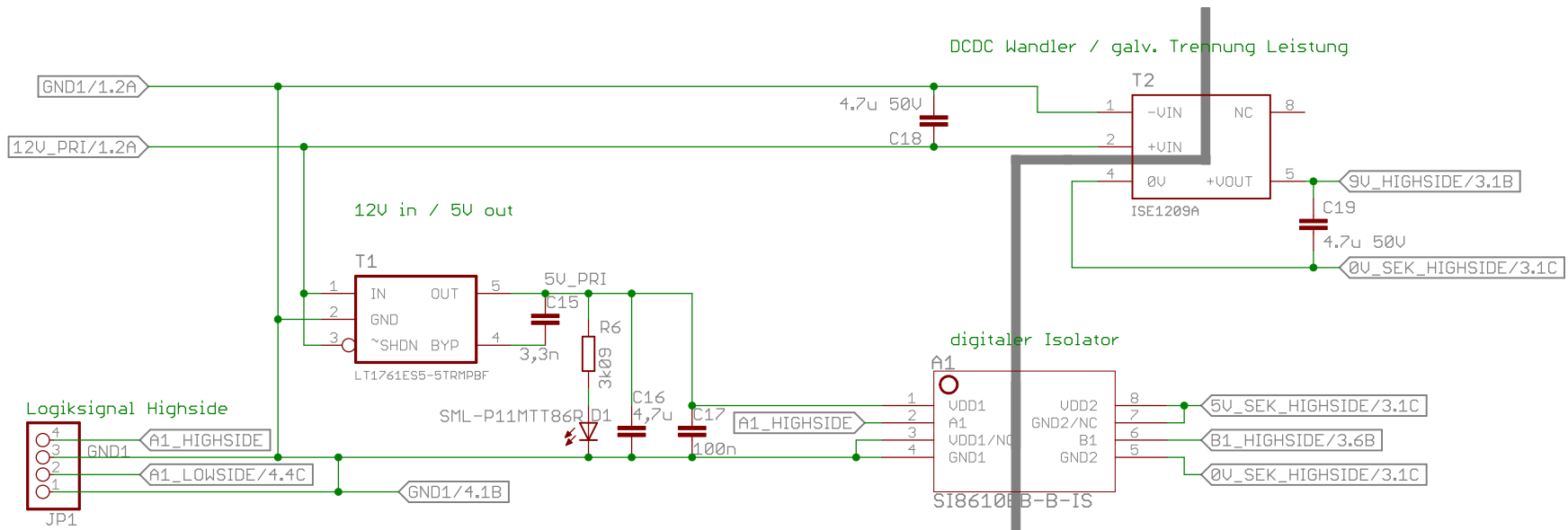
J1-A32 → DSK+
 J1-A30 →
 J1-A28 →
 J1-C32 →
 J1-C30 →
 J1-C28 →

J1-A12 → J1-C12
 J1-A20 → J1-C20
 J1-A22 → J1-C22
 J1-A24 → J1-C24

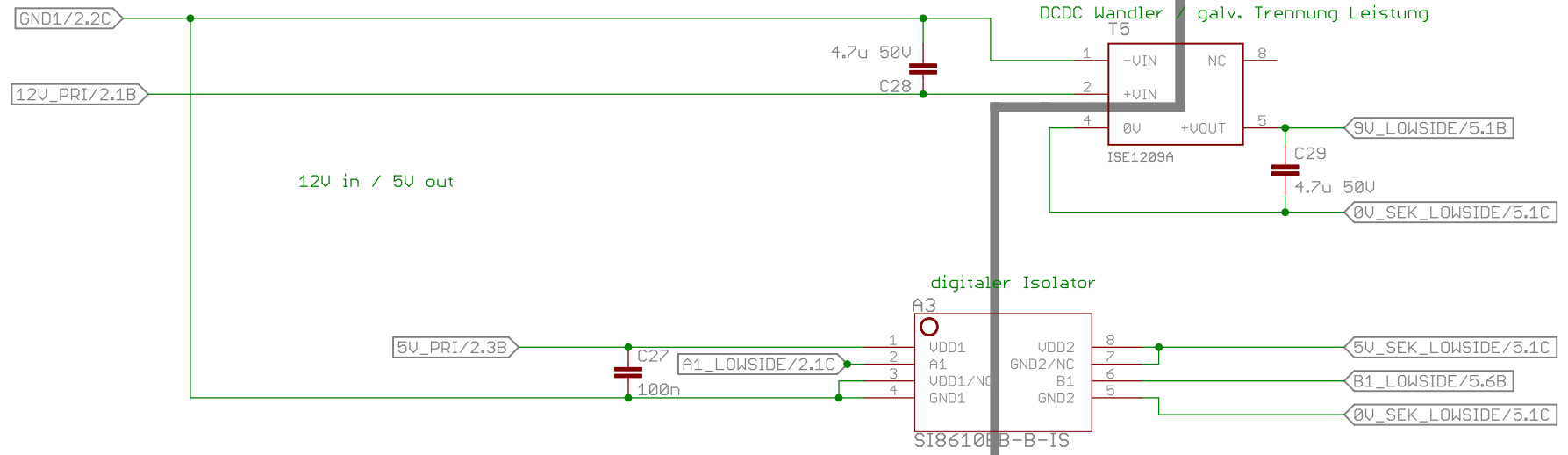
UZ+ →
 C1 1u
 C2 1u
 C3 1u
 C4 1u
 C5 1u
 C6 1u
 C7 1u
 C8 0,1u
 C9 9.1n
 C10 1n
 UZ- →

P_OUT_HIGHSIDE/3.5B → R1 0-50 Ohm
 N_OUT_HIGHSIDE/3.5B → R2 0-50 Ohm
 0V_SEK_HIGHSIDE/2.5C →
 P_OUT_LOWSIDE/5.5B → R3 0-50 Ohm
 N_OUT_LOWSIDE/5.5B → R4 0-50 Ohm
 R5 SDN-005
 X1 R141426
 X2 R141426
 L1 RINGERKERNSPULE-100UF
 C11 0,1u
 C12 2.2u
 C13 2.2u
 C14 2.2u
 DSK+ →
 DSK- →

Highside Treiber 1/2



Low Side Treiber 1/2



Low Side Treiber 2/2

