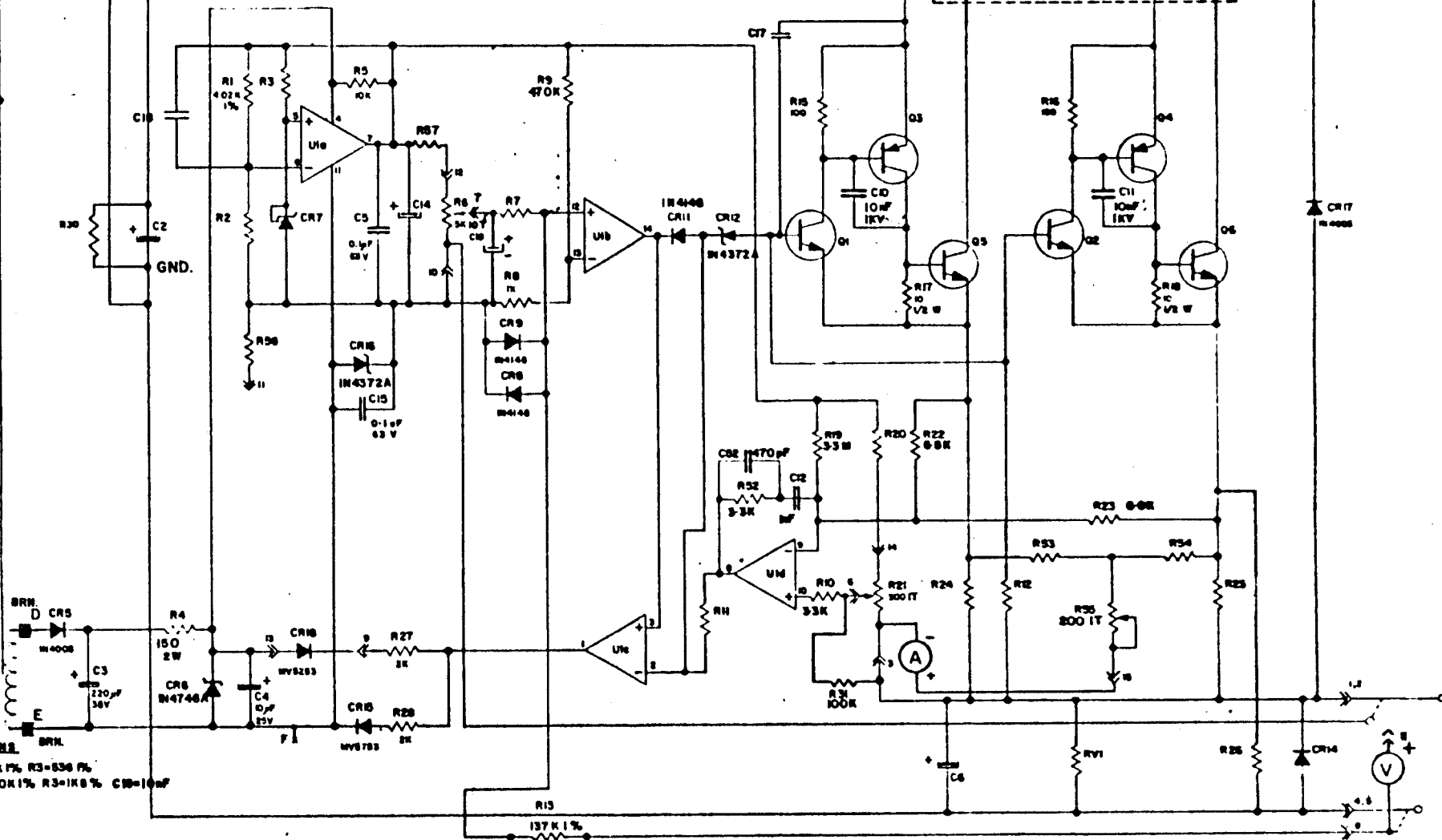
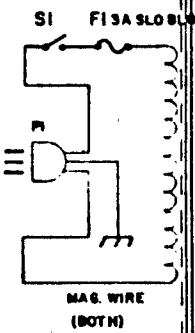
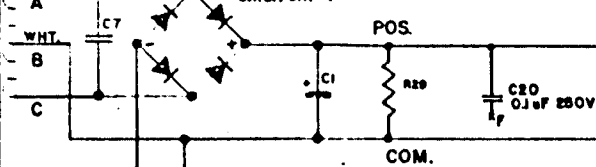


SOME MODELS HAVE BOARD MOUNTED CAPS AND DIODES  
IN OTHER MODELS THEY ARE CHASSIS MOUNTED

CR10/CR1-4



**DESIGNATIONS**

U1 CR713 IN021A R2=0.10K 1% R3=630 Ω  
U1 CR718 TL431CLP R1=30K 1% R5=1K 0.5% C10=10μF

**CIRCUIT FUNCTIONS:**

- U1a - Voltage reference
- U1b - Voltage control amplifier
- U1c - Current Limit Detector
- U1d - Current control amplifier

RESISTOR VALUES 1/4W - 0.5%  
UNLESS SPECIFIED OTHERWISE

U1 - LM324

DATE: \_\_\_\_\_  
REVISION: \_\_\_\_\_  
SCALE: \_\_\_\_\_  
DRAWN BY: \_\_\_\_\_  
CHECKED BY: \_\_\_\_\_  
APPROVED BY: \_\_\_\_\_  
DATE: \_\_\_\_\_

REV.	DESCRIPTION	MATERIAL	PART NO.
1	LAB SUPPLY SCHEMATIC DIAGRAM GENERAL SCHEMATIC		A 2751

**ANATEK ELECTRONICS LTD.**  
VANCOUVER B.C. CANADA

LAB  
120 SERIES  
A 2751

THESE DESIGNS AND SPECIFICATIONS ARE THE PROPERTY OF ANATEK ELECTRONICS LTD. AND SHALL NOT BE COPIED OR USED FOR MANUFACTURING WITHOUT ITS WRITTEN CONSENT.