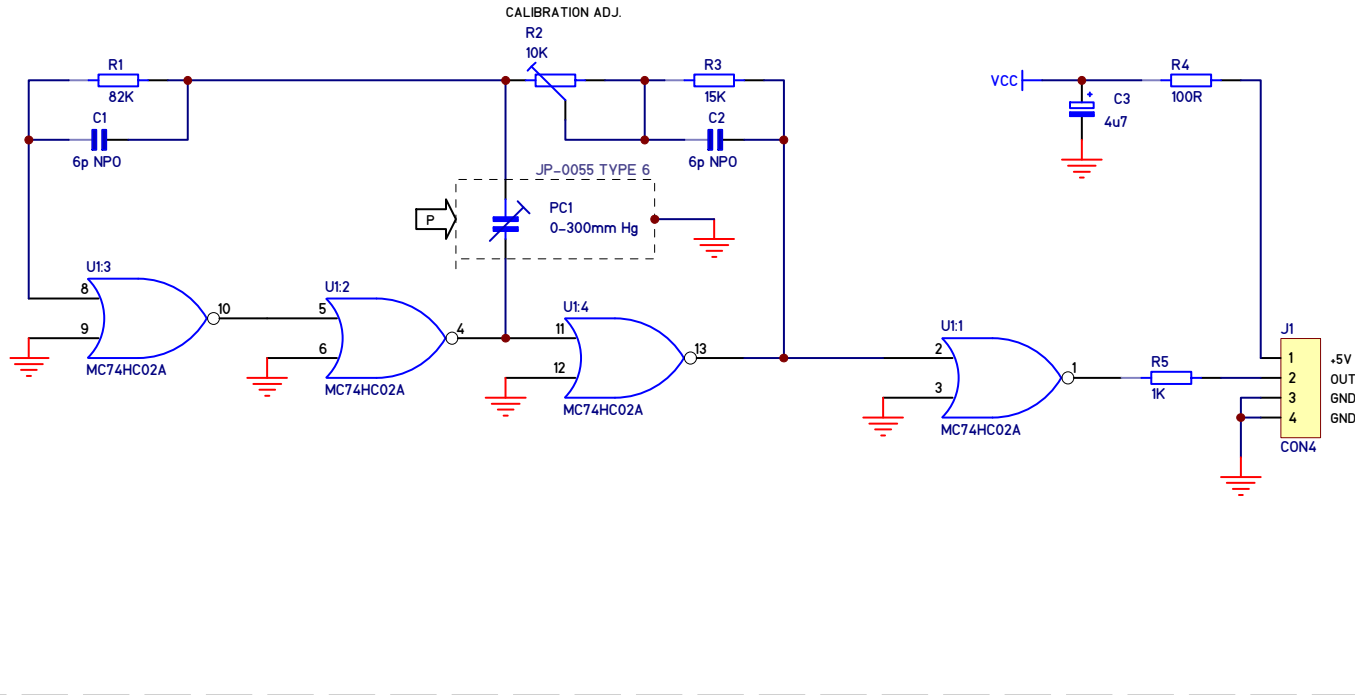


PRESSURE SENSOR BOARD

Conversion Data:

mmHg	Hz
0	960
10	944
20	926
30	909
40	892
50	877
60	862
70	843
80	826
90	810
100	793
110	777
120	759
130	742
140	727
150	710
160	692
170	678
180	662
190	644
200	628
210	613
220	596
230	580
240	565
250	549
260	532
270	517
280	502
290	486
300	471
310	458
320	438



Unless otherwise specified, all values are as follows:
 resistor values are in Ohms, i.e. 0R47, 5R6, 220, 5K6, 22K
 capacitor values are in Microfarads, i.e. 220p, 0u1, 2u2, 33
 inductor values are in Microhenries, i.e. 0u22, 5u6, 68, 2m2

PCB Name: *Omron Blutdruck Sensor*
 PCB Nr.: *60000-0XXXX*
 PCB Type: *Phenolic 15mm SS*

Title: *Omron Blutdrucksensor 0-320mmHg*

Used in: *Omron Blood Pressure Meter*

Repl.for:

This drawing is our property. Duplication, unauthorized use of any kind is prohibited.
 Without Approval use only for inquiry.

Approval:

	Date	Name	Change Index	Change Notification Nr.	Date	Name
Drawn	<i>20-Jun-2013</i>	<i>GJO</i>				
Modified						
Checked						
<input checked="" type="checkbox"/> Prototype <input type="checkbox"/> Production						

Scale: *PCB Schematic*

Prj. Nr: *05034*

Size: *A* Rev: *0*

Drw. Nr: *05034G-CPS-E01*

File: *BaroCap.sch*

Sheet 1 of 1