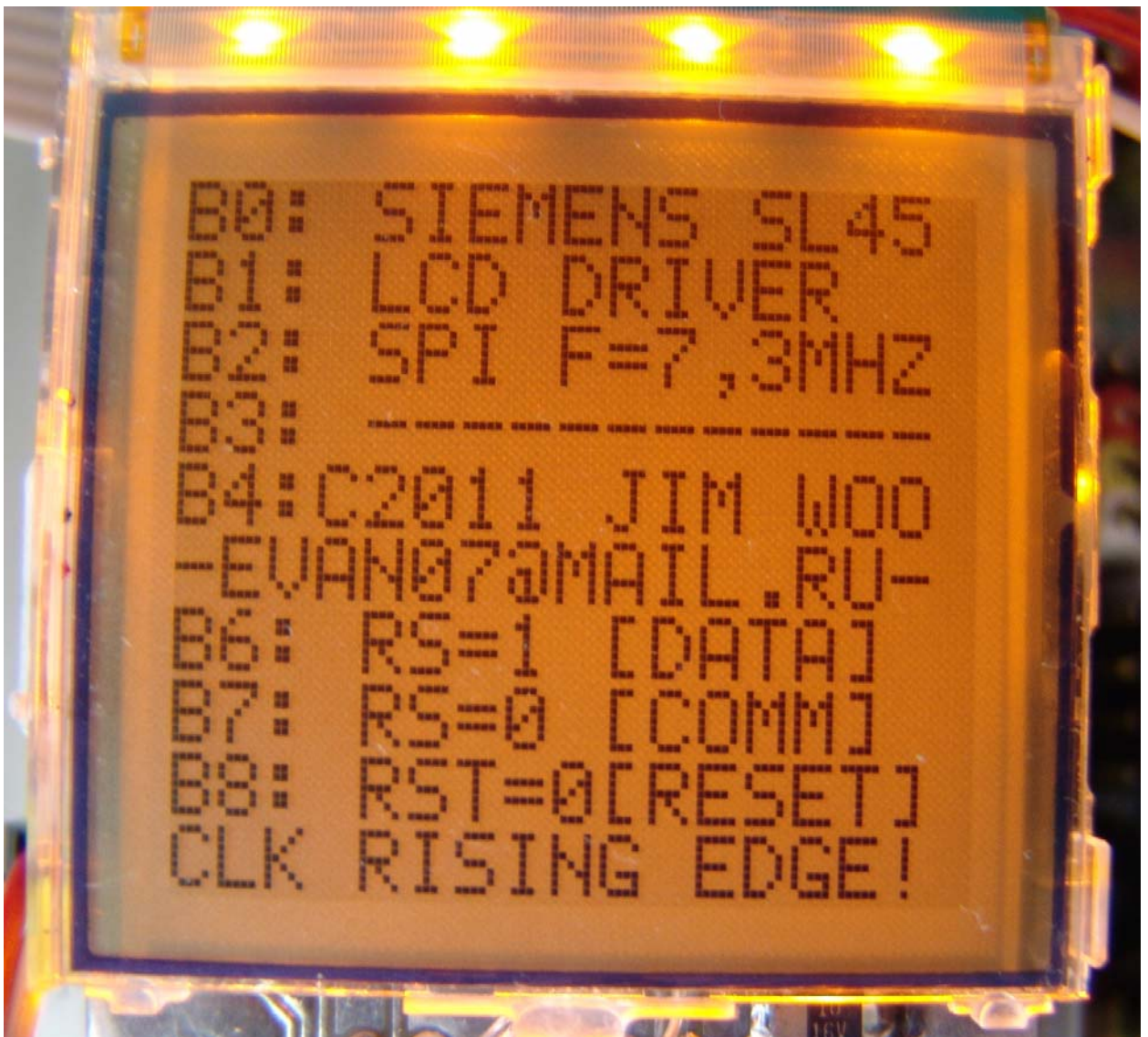


Connecting SIEMENS SL42, SL45 LCD to microcontroller



CS (pin 30), RESET (pin 29), RS (pin 28), CLK (pin 27), DATA (pin 26) are from 0V to 2.8V
 "LED+" = max 3.7V, "LED-" =GND

LCD format: 101 x 80 pix.

10 rows (every row is 8 pix high = 1byte: LSB upper, MSB lower), 101 column (1 pix long)

$F_{clk} = 7.4 \text{ MHz}$ (tested)

CLK=1 (idle)

RS=0 (command), RS=1 (data) [you can change it when CS=1]

CS=0 (active), CS=1 (idle)

RESET =0 (reset), RESET =1 (normal)

Data loaded into LCD on rising edge of CLK signal, MSB first (Atmel AVR SPI mode=3: CPOL=1, CPHA=1)

Startup:

CS=1

RESET=0

wait 75 mS

RESET=1

wait 525 mS

LCDinit:

1. RS=0,CS=0, Command (2 bytes):

0x81,0x45, CS=1

2. RS=0,CS=0, Command (18 bytes): **0xA1, 0xC0, 0xA6, 0x74, 0x00, 0x81, 0x45, 0x40, 0x55,0xAB, 0x27, 0x8A, 0x00, 0xB0, 0x10, 0x00, 0xA4, 0xAF**, CS=1

LCDwrite:

RS=0, CS=0, Command (3 bytes): **0xB0***, **0x10**, **0x00****, CS=1

RS=1, CS=0, Data0,Data1,...Data100, CS=1

RS=0, CS=0, Command (3 bytes): 0xB1, 0x10, 0x00, CS=1

RS=1, CS=0, Data0,Data1,...Data100, CS=1

.... To 0xB9

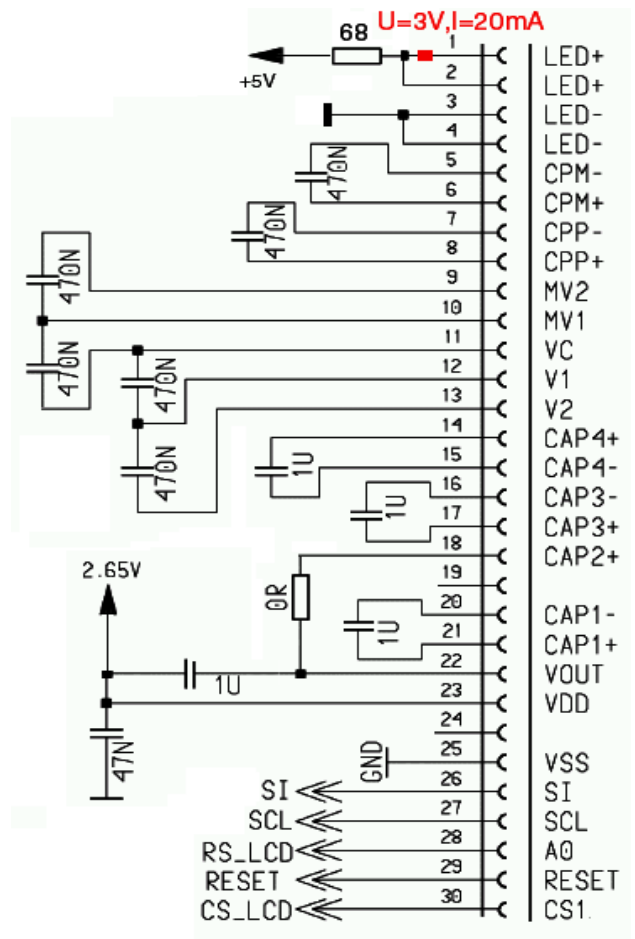
LCD turn off:

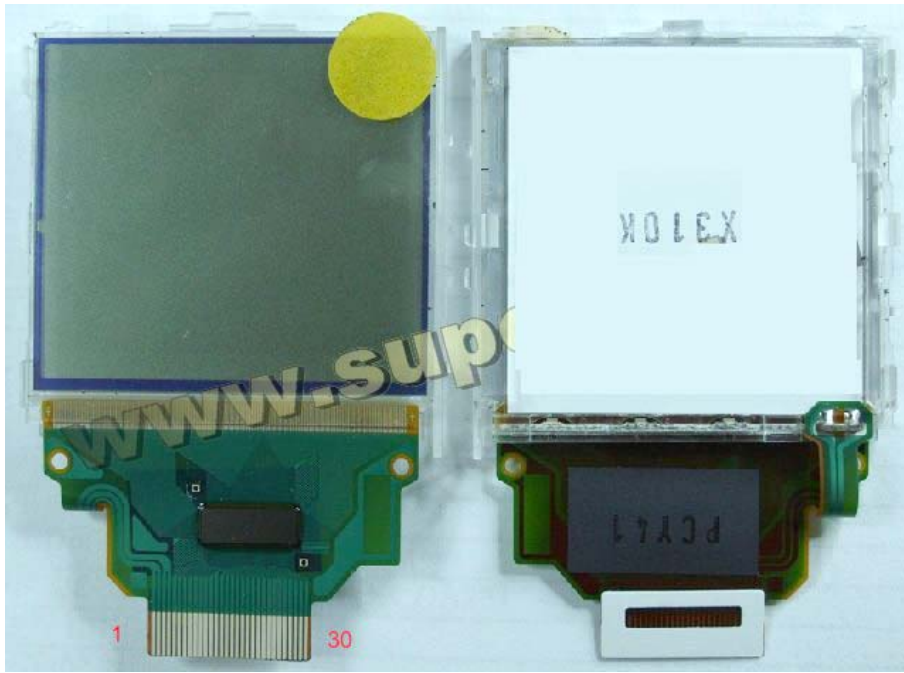
1. CS=0,RS=0, Command (1 byte): **0xAE**, CS=1

2. Turn power OFF

***0xB0: 0xN, where "N" is address of the row (0xB0 – upper row, 0xB9 – down row)**

****0x00: it seems to be address of the column in row, but it works correct only from 0x00 to 0x12**





Real Time Data transfer:

| | | | | | | | | | | | | | | | | | |
|----|----|----|----|----|----|----|----|----|----|----|----|----|----|----|----|----|----|
| 81 | 45 | | | | | | | | | | | | | | | | |
| A1 | C0 | A6 | 74 | 00 | 81 | 45 | 40 | 55 | AB | 27 | 8A | 00 | B0 | 10 | 00 | A4 | AF |

| | | | | | | | | | | | | | | | | | | | | |
|------------|----|----|----|----|----|----|----|----|----|----|----|----|----|----|----|----|----|----|----|----|
| [Redacted] | | | | | | | | | | | | | | | | | | | | |
| B0 | 10 | 00 | 00 | 00 | 00 | 00 | 00 | 00 | 00 | 00 | 00 | 00 | 00 | 00 | 00 | 00 | 00 | 00 | 00 | 00 |
| [Redacted] | | | | | | | | | | | | | | | | | | | | |
| 00 | 00 | 00 | 00 | 00 | 00 | 00 | 00 | 00 | 00 | 00 | 00 | 00 | 00 | 00 | 00 | 00 | 00 | 00 | 00 | 00 |
| 00 | 00 | 00 | 00 | 00 | 00 | 00 | 00 | 00 | 00 | 00 | 00 | 00 | 00 | 00 | 00 | 00 | 00 | 00 | 00 | 00 |
| 00 | 00 | 00 | 00 | 00 | 00 | 00 | 00 | 00 | 00 | 00 | 00 | 00 | 00 | 00 | 00 | 00 | 00 | 00 | 00 | 00 |
| 00 | 00 | 00 | 00 | 00 | 00 | 00 | 00 | 00 | 00 | 00 | 00 | 00 | 00 | 00 | 00 | 00 | 00 | 00 | 00 | 00 |
| 00 | 00 | 00 | 00 | 00 | 00 | 00 | 00 | 00 | 00 | 00 | 00 | 00 | 00 | 00 | 00 | 00 | 00 | 00 | 00 | 00 |
| 00 | 00 | 00 | 00 | 00 | 00 | 00 | 00 | 00 | 00 | 00 | 00 | 00 | 00 | 00 | 00 | 00 | 00 | 00 | 00 | 00 |
| 00 | 00 | 00 | 00 | 00 | 00 | 00 | 00 | 00 | 00 | 00 | 00 | 00 | 00 | 00 | 00 | 00 | 00 | 00 | 00 | 00 |
| 00 | 00 | 00 | 00 | 00 | 00 | 00 | 00 | 00 | 00 | 00 | 00 | 00 | 00 | 00 | 00 | 00 | 00 | 00 | 00 | 00 |
| 00 | 00 | 00 | 00 | 00 | 00 | 00 | 00 | 00 | 00 | 00 | 00 | 00 | 00 | 00 | 00 | 00 | 00 | 00 | 00 | 00 |
| 00 | 00 | 00 | 00 | 00 | 00 | 00 | 00 | 00 | 00 | 00 | 00 | 00 | 00 | 00 | 00 | 00 | 00 | 00 | 00 | 00 |
| 00 | 00 | 00 | 00 | 00 | 00 | 00 | 00 | 00 | 00 | 00 | 00 | 00 | 00 | 00 | 00 | 00 | 00 | 00 | 00 | 00 |
| 00 | 00 | 00 | 00 | 00 | 00 | 00 | 00 | 00 | 00 | 00 | 00 | 00 | 00 | 00 | 00 | 00 | 00 | 00 | 00 | 00 |
| 00 | 00 | 00 | 00 | 00 | 00 | 00 | 00 | 00 | 00 | 00 | 00 | 00 | 00 | 00 | 00 | 00 | 00 | 00 | 00 | 00 |
| 00 | 00 | 00 | 00 | 00 | 00 | 00 | 00 | 00 | 00 | 00 | 00 | 00 | 00 | 00 | 00 | 00 | 00 | 00 | 00 | 00 |
| 00 | 00 | 00 | 00 | 00 | 00 | 00 | 00 | 00 | 00 | 00 | 00 | 00 | 00 | 00 | 00 | 00 | 00 | 00 | 00 | 00 |
| 00 | 00 | 00 | 00 | 00 | 00 | 00 | 00 | 00 | 00 | 00 | 00 | 00 | 00 | 00 | 00 | 00 | 00 | 00 | 00 | 00 |
| 00 | 00 | 00 | 00 | 00 | 00 | 00 | 00 | 00 | 00 | 00 | 00 | 00 | 00 | 00 | 00 | 00 | 00 | 00 | 00 | 00 |
| 00 | 00 | 00 | 00 | 00 | 00 | 00 | 00 | 00 | 00 | 00 | 00 | 00 | 00 | 00 | 00 | 00 | 00 | 00 | 00 | 00 |


```

00 00 00 00 00 00 00 00
00 00 00 00 00 00 00 00
00 00 00 00 B0 10 00 00
00 00 00 00 00 00 00 00
00 00 00 00 00 00 00 00
00 00 00 00 00 00 00 00
00 00 00 00 00 00 00 00
00 00 00 00 00 00 00 00
00 00 00 00 00 00 00 00
00 00 00 00 00 00 00 00
00 00 00 00 00 00 00 00
00 00 00 00 00 00 00 00
00 00 00 00 00 00 00 00
00 00 00 00 00 00 00 00
00 00 00 00 00 00 00 00
00 00 00 00 00 00 00 00
00 00 00 00 00 00 00 00
00 00 00 00 00 00 00 00
00 00 00 00 00 00 00 00
00 00 00 00 00 00 00 00
00 00 00 00 00 00 00 00
00 00 00 00 00 00 00 00
00 00 00 00 00 00 00 00
00 00 00 00 00 00 00 00
00 00 00 00 B2 10 00 00
00 00 00 00 00 00 00 00
00 00 00 00 00 00 00 00
00 00 00 FF FF 11 FF EE
00 90 D8 48 F8 F0 00 08
FC FE 08 00 08 FC FE 08
00 F0 F8 48 78 30 00 F8
F0 18 18 00 78 F8 80 F8
F8 00 00 00 00 00 00 00
00 00 00 00 00 00 00 00
00 00 00 00 00 00 00 00
00 00 00 00 00 00 00 00
00 00 00 00 00 00 00 00
00 00 00 00 B3 10 00 00
00 00 00 00 00 F0 F8 F8
FC FC FE 7E 00 00 00 00
00 00 00 03 83 82 83 01
00 81 03 82 81 03 80 80
01 03 82 00 80 81 03 02
80 C1 E3 82 03 81 80 03

```



| | | | | | | | |
|----|----|----|----|----|----|----|----|
| 83 | 80 | 00 | 00 | F4 | F4 | 07 | 03 |
| 00 | 00 | 00 | 00 | 00 | 00 | 00 | 00 |
| 00 | 00 | 00 | 00 | 00 | 00 | 00 | 00 |
| 00 | 00 | 00 | 00 | 00 | 00 | 00 | 00 |
| 00 | 00 | 00 | 00 | 00 | 00 | 00 | 00 |
| 00 | 00 | 00 | 00 | 00 | 00 | 00 | 00 |
| 00 | 00 | 00 | 00 | B4 | 10 | 00 | 00 |
| 00 | 00 | 00 | 00 | 00 | 03 | FF | FF |
| FF | FF | 3F | 00 | 00 | 00 | 00 | 00 |
| 00 | 00 | 00 | 1F | 3F | 24 | 37 | 13 |
| 00 | 3F | 3F | 00 | 3F | 3F | 00 | 3F |
| 3F | 00 | 7F | 7F | 10 | 1F | 0F | 00 |
| 00 | 1F | 3F | 20 | 00 | 47 | 4F | 78 |
| 3F | 0F | 00 | 00 | 2F | 2F | 00 | 00 |
| 00 | 00 | 00 | 00 | 00 | 00 | 00 | 00 |
| 00 | 00 | 00 | 00 | 00 | 00 | 00 | 00 |
| 00 | 00 | 00 | 00 | 00 | 00 | 00 | 00 |
| 00 | 00 | 00 | 00 | 00 | 00 | 00 | 00 |
| 00 | 00 | 00 | 00 | 00 | 00 | 00 | 00 |
| 00 | 00 | 00 | 00 | 00 | 00 | 00 | 00 |
| 00 | 00 | 00 | 00 | 00 | 00 | 00 | 00 |
| 00 | 00 | 00 | 00 | 00 | 00 | 01 | 7F |
| 7F | 1F | 00 | 00 | 00 | 00 | 00 | 00 |
| 00 | 00 | 00 | FF | FF | 21 | 3F | 1E |
| 00 | FF | FF | 00 | F0 | F8 | 48 | 78 |
| 30 | 00 | 90 | D8 | 48 | F8 | F0 | 00 |
| 30 | 78 | 48 | D8 | 90 | 00 | F0 | F8 |
| 48 | 78 | 30 | 00 | 00 | 00 | 00 | 00 |
| 00 | 00 | 00 | 00 | 00 | 00 | 00 | 00 |
| 00 | 00 | 00 | 00 | 00 | 00 | 00 | 00 |
| 00 | 00 | 00 | 00 | 00 | 00 | 00 | 00 |
| 00 | 00 | 00 | 00 | 00 | 00 | 00 | 00 |
| 00 | 00 | 00 | 00 | 00 | 00 | 00 | 00 |
| 00 | 00 | 00 | 00 | 00 | 00 | 00 | 00 |
| 00 | 00 | 00 | 00 | 00 | 00 | 78 | 7C |
| 7C | 7C | 3C | 00 | 00 | 00 | 00 | 00 |
| 00 | 00 | 00 | F3 | F3 | 10 | F0 | E0 |
| 00 | 03 | 83 | 80 | 81 | 03 | 02 | 03 |
| 81 | 80 | 81 | 03 | 02 | F1 | F3 | 80 |
| 81 | 03 | 02 | 03 | 81 | 80 | 81 | 03 |
| 02 | 83 | 01 | 80 | 80 | 00 | 00 | 80 |
| 80 | 00 | 80 | 00 | 00 | 80 | 80 | 80 |
| 00 | 00 | 00 | F0 | F0 | 00 | 00 | 00 |
| 00 | 00 | 00 | 00 | 00 | 00 | 00 | 00 |
| 00 | 00 | 00 | 00 | 00 | 00 | 00 | 00 |
| 00 | 00 | 00 | 00 | 00 | 00 | 00 | 00 |
| 00 | 00 | 00 | 00 | 00 | 00 | 00 | 00 |
| 00 | 00 | 00 | 00 | B7 | 10 | 00 | 00 |
| 00 | 00 | 00 | 00 | 00 | 00 | 00 | 00 |
| 00 | 00 | 00 | 00 | 00 | 00 | 00 | 00 |

```
00 00 00 3F 3F 02 3F 3D
00 1F 3F 24 37 13 00 1F
3F 20 39 19 00 3F 3F 00
3F 3F 00 19 3D 24 1F 3F
00 3F 3F 01 01 00 4F 5F
50 7F 3F 00 1F 3F 24 37
13 00 00 2F 2F 00 00 00
00 00 00 00 00 00 00 00
00 00 00 00 00 00 00 00
00 00 00 00 00 00 00 00
00 00 00 00 00 00 00 00
00 00 00 00 00 00 00 00
00 00 00 00 00 00 00 00
00 00 00 00 00 00 00 00
00 00 00 00 00 00 00 00
00 00 00 00 00 00 00 00
00 00 00 00 00 00 00 00
00 00 00 00 00 00 00 00
00 00 00 00 00 00 00 00
00 00 00 00 00 00 00 00
00 00 00 00 00 00 00 00
00 00 00 00 00 00 00 00
00 00 00 00 00 00 00 00
00 00 00 00 00 00 00 00
00 00 00 00 00 00 00 00
00 00 00 00 00 00 00 00
00 00 00 00 00 00 00 00
00 00 00 00 00 00 00 00
00 00 00 00 00 00 00 57
```

